

Dell™ Latitude™ X200

# System Information Guide

Systeeminformatiehandleiding

Guide d'information sur le système

Systeminformationshandbuch

Informazioni di sistema

Manual de informações do sistema

Guía de información del sistema



Model PP03S



[www.dell.com](http://www.dell.com) | [support.dell.com](http://support.dell.com)



Dell™ Latitude™ X200

# System Information Guide



# Notes, Notices, and Cautions

 **NOTE:** A NOTE indicates important information that helps you make better use of your computer.

 **NOTICE:** A NOTICE indicates either potential damage to hardware or loss of data and tells you how to avoid the problem.

 **CAUTION:** A CAUTION indicates a potential for property damage, personal injury, or death.

## Abbreviations and Acronyms

For a complete list of abbreviations and acronyms, see the *User's Guide* (depending on your operating system, double-click the **User's Guide** icon on your desktop or click the **Start** button, click **Help and Support Center**, and click **User and system guides**).

---

Information in this document is subject to change without notice.

© 2002 Dell Computer Corporation. All rights reserved.

Reproduction in any manner whatsoever without the written permission of Dell Computer Corporation is strictly forbidden.

Trademarks used in this text: *Dell*, the *DELL* logo, *Latitude*, *TrueMobile*, and *AccessDirect* are trademarks of Dell Computer Corporation; *Microsoft* and *Windows* are registered trademarks of Microsoft Corporation.

Other trademarks and trade names may be used in this document to refer to either the entities claiming the marks and names or their products. Dell Computer Corporation disclaims any proprietary interest in trademarks and trade names other than its own.

# Contents

<b>Safety and EMC Instructions: Portable Computers</b> . . . . .	<b>5</b>
Caution: Safety Instructions . . . . .	5
EMC Instructions . . . . .	9
When Using Your Computer . . . . .	10
Ergonomic Computing Habits . . . . .	11
When Removing or Installing a Memory Module . . . . .	12
Protecting Against Electrostatic Discharge . . . . .	13
<b>Finding Information and Assistance</b> . . . . .	<b>14</b>
<b>Setting Up Your Computer</b> . . . . .	<b>16</b>
<b>About Your Computer</b> . . . . .	<b>17</b>
Front View . . . . .	17
Left Side View . . . . .	19
Right Side View . . . . .	20
Back View . . . . .	20
Bottom View . . . . .	21
<b>Removing a Battery</b> . . . . .	<b>22</b>
<b>Installing a Battery</b> . . . . .	<b>23</b>
<b>Running the Dell Diagnostics</b> . . . . .	<b>23</b>
<b>Regulatory Notices</b> . . . . .	<b>25</b>
Battery Disposal . . . . .	26



# Safety and EMC Instructions: Portable Computers

The following information defines the meaning of *additional* symbols used *only* in the Safety and Electromagnetic Compatibility (EMC) Instructions.



Risk of explosion



Aircraft



Risk of fire



Use of this feature may be prohibited on aircraft



Risk of electric shock



## Caution: Safety Instructions

### General

- Do not attempt to service the computer yourself unless you are an authorized service technician. Always follow installation instructions closely.
- If you use an extension power cable with your AC adapter, ensure that the total ampere rating of the products plugged in to the extension power cable does not exceed the ampere rating of the extension cable.



- Do not push objects into air vents or openings of your computer. Doing so can cause fire or electric shock by shorting out interior components.



- Place the AC adapter in a ventilated area, such as a desk top or on the floor, when you use it to run the computer or to charge the battery. Do not cover the AC adapter with papers or other items that will reduce cooling; also, do not use the AC adapter inside a carrying case.

- Do not allow your portable computer to operate with the base resting directly on exposed skin for extended periods of time. The surface temperature of the base will rise during normal operation (particularly when AC power is present). Allowing sustained contact with exposed skin can cause discomfort or, eventually, a burn.



- Do not use your computer in a wet environment, for example, near a bath tub, sink, or swimming pool or in a wet basement.



- If your computer includes an integrated or optional (PC Card) modem, disconnect the modem cable if an electrical storm is approaching to avoid the remote risk of electric shock from lightning via the telephone line.



- To help avoid the potential hazard of electric shock, do not connect or disconnect any cables or perform maintenance or reconfiguration of this product during an electrical storm. Do not use your computer during an electrical storm unless all cables have been disconnected and the computer is operating on battery power.
- If your computer includes a modem, the cable used with the modem should be manufactured with a minimum wire size of 26 American wire gauge (AWG) and an FCC-compliant RJ-11 modular plug.
- PC Cards may become very warm during normal operation. Use care when removing PC Cards after their continuous operation.
- Before you clean your computer, remove power. Clean your computer with a soft cloth dampened with water. Do not use liquid or aerosol cleaners, which may contain flammable substances.



**Caution: Power (Safety Instructions, *continued*)**



- Use only the Dell-provided AC adapter approved for use with this computer. Use of another AC adapter may cause a fire or explosion.
- Before you connect the computer to an electrical outlet, check the AC adapter voltage rating to ensure that the required voltage and frequency match the available power source.
- To remove power from the computer, turn it off, remove the battery pack, and disconnect the AC adapter from the electrical outlet.



- To help prevent electric shock, plug the AC adapter and peripheral power cables into properly grounded power sources. These power cables may be equipped with three-prong plugs to provide an earth grounding connection. Do not use adapter plugs or remove the grounding prong from the power cable plug. If you use a power extension cable, use the appropriate type, two-prong or three-prong, to mate with the AC adapter power cable.
- Be sure that nothing rests on your AC adapter's power cable and that the cable is not located where it can be tripped over or stepped on.



- If you are using a multiple-outlet power strip, use caution when plugging the AC adapter's power cable into the power strip. Some power strips may allow you to insert the plug incorrectly. Incorrect insertion of the power plug could result in permanent damage to your computer, as well as risk of electric shock and/or fire. Ensure that the ground prong of the power plug is inserted into the mating ground contact of the power strip.

**Caution: Battery (Safety Instructions, *continued*)**

- Use only Dell battery modules that are approved for use with this computer. Use of other types may increase the risk of fire or explosion.



- Do not carry a battery pack in your pocket, purse, or other container where metal objects (such as car keys or paper clips) could short-circuit the battery terminals. The resulting excessive current flow can cause extremely high temperatures and may result in damage to the battery pack or cause fire or burns.

- The battery poses a burn hazard if you handle it improperly. Do not disassemble it. Handle a damaged or leaking battery pack with extreme care. If the battery is damaged, electrolyte may leak from the cells and may cause personal injury.

- Keep the battery away from children.



- Do not store or leave your computer or battery pack near a heat source such as a radiator, fireplace, stove, electric heater, or other heat-generating appliance or otherwise expose it to temperatures in excess of 60°C (140°F). When heated to excessive temperatures, battery cells could explode or vent, posing a risk of fire.



- Do not dispose of your computer's battery in a fire or with normal household waste. Battery cells may explode. Discard a used battery according to the manufacturer's instructions or contact your local waste disposal agency for disposal instructions. Dispose of a spent or damaged battery promptly.



### **Caution: Air Travel (Safety Instructions, *continued*)**



- Certain Federal Aviation Administration regulations and/or airline-specific restrictions may apply to the operation of your Dell™ computer while you are on board an aircraft. For example, such regulations/restrictions may prohibit the use of any personal electronic device (PED) that has the capacity for intentional transmission of radio frequency or other electromagnetic signals while on an aircraft.



- In order to best comply with all such restrictions, if your Dell portable computer is equipped with Dell TrueMobile™ or some other wireless communication device, please disable this device before you board the aircraft and follow all instructions provided by airline personnel with regard to such device.



- Additionally, the use of any PED, such as a portable computer, may be prohibited in aircraft during certain critical phases of flight, for example, takeoff and landing. Some airlines may further define the critical flight phase as any time the aircraft is below 3050 m (10,000 ft). Please follow the airline's specific instructions as to when the use of a PED is allowed.

### **EMC Instructions**

- Use shielded signal cables to ensure that you maintain the appropriate EMC classification for the intended environment. For parallel printers, a cable is available from Dell. If you prefer, you can order a cable from Dell at its world-wide website at [www.dell.com](http://www.dell.com).
- Static electricity can harm electronic components inside your computer. To prevent static damage, discharge static electricity from your body before you touch any of your computer's electronic components, such as a memory module. You can do so by touching an unpainted metal surface on the computer's input/output panel.

## When Using Your Computer

Observe the following safe-handling guidelines to prevent damage to your computer:

- When setting up the computer for work, place it on a level surface.
  - When traveling, do not check the computer as baggage. You can put your computer through an X-ray security machine, but never put your computer through a metal detector. If you have the computer checked by hand, be sure to have a charged battery available in case you are asked to turn on the computer.
  - When traveling with the hard drive removed from the computer, wrap the drive in a nonconducting material, such as cloth or paper. If you have the drive checked by hand, be ready to install the drive in the computer. You can put the hard drive through an X-ray security machine, but never put the drive through a metal detector.
  - When traveling, do not place the computer in overhead storage compartments where it could slide around. Do not drop your computer or subject it to other mechanical shocks.
  - Protect your computer, battery, and hard drive from environmental hazards such as dirt, dust, food, liquids, temperature extremes, and overexposure to sunlight.
  - When you move your computer between environments with very different temperature and/or humidity ranges, condensation may form on or within the computer. To avoid damaging the computer, allow sufficient time for the moisture to evaporate before using the computer.
-  **NOTICE:** When taking the computer from low-temperature conditions into a warmer environment or from high-temperature conditions into a cooler environment, allow the computer to acclimate to room temperature before turning on power.
- When you disconnect a cable, pull on its connector or on its strain-relief loop, not on the cable itself. As you pull out the connector, keep it evenly aligned to avoid bending any connector pins. Also, before you connect a cable make sure both connectors are correctly oriented and aligned.
  - Handle components with care. Hold a component such as a memory module by its edges, not its pins.

- When preparing to remove a memory module from the system board, turn off the computer, disconnect the AC adapter cable, and then wait 5 seconds before proceeding to help avoid possible damage to the system board.
- Clean the display with a soft, clean cloth and commercial window cleaner that does not contain wax or abrasives. Apply the cleaner to the cloth; then stroke the cloth across the display in one direction, moving from the top of the display to the bottom. If the display contains grease or some other contaminant, use isopropyl alcohol instead of commercial window cleaner.
- If your computer gets wet or is damaged, follow the procedures described in "Solving Problems" in the *User's Guide*. If, after following these procedures, you confirm that your computer is not operating properly, contact Dell. (See "Getting Help" in the *User's Guide* for the appropriate telephone number.)

## Ergonomic Computing Habits

 **CAUTION: Improper or prolonged keyboard use may result in injury.**

 **CAUTION: Viewing the display or external monitor screen for extended periods of time may result in eye strain.**

For comfort and efficiency, observe the following ergonomic guidelines when setting up and using your computer:

- This is a portable computer and is not designed for continuous operation as office equipment. For extended use in an office, an external monitor and an external keyboard are recommended.
- Position your computer directly in front of you as you work.
- Adjust the tilt of the computer's display, its contrast and/or brightness settings, and the lighting around you (such as overhead lights, desk lamps, and the curtains or blinds on nearby windows) to minimize reflections and glare on the display.
- When using an external monitor with your computer, set the monitor at a comfortable viewing distance (usually 510 to 610 millimeters [20 to 24 inches] from your eyes). Make sure the monitor screen is at eye level or slightly lower when you are sitting in front of the monitor.
- Use a chair that provides good lower-back support.

- Keep your forearms horizontal with your wrists in a neutral, comfortable position while using the keyboard, touch pad, track stick, or external mouse.
- Always use the palm rest with the keyboard, touch pad, or track stick. Leave space to rest your hands when using an external mouse.
- Let your upper arms hang naturally at your sides.
- Sit erect with your feet resting on the floor and your thighs level.
- When sitting, make sure the weight of your legs is on your feet and not on the front of your chair seat. Adjust your chair's height or use a footrest, if necessary, to maintain proper posture.
- Vary your work activities. Try to organize your work so that you do not have to type for extended periods of time. When you stop typing, try to do things that use both hands.

### When Removing or Installing a Memory Module

Before removing or installing a memory module, perform the following steps in the sequence indicated.

- ➡ **NOTICE:** The only time you should ever access the inside of your computer is when you are installing a memory module or Mini PCI card.
- ➡ **NOTICE:** Wait 5 seconds after turning off the computer before disconnecting a peripheral device or removing a memory module to help prevent possible damage to the system board.

- 1 Turn off your computer and any attached peripherals.
- 2 Disconnect your computer and peripherals from electrical outlets to reduce the potential for personal injury or shock. Also, disconnect any telephone or telecommunication lines from the computer.
- 3 Remove the main battery from the battery compartment.
- 4 Ground yourself by touching the unpainted metal surface of the I/O panel on the back of the computer.

While you work, periodically touch the I/O panel to dissipate any static electricity that might harm internal components.

## Protecting Against Electrostatic Discharge

Static electricity can harm electronic components inside your computer. To prevent static damage, discharge static electricity from your body before you touch any of your computer's electronic components, such as a memory module. You can do so by touching an unpainted metal surface on the computer's I/O panel.

As you continue to work inside the computer, periodically touch an I/O connector to remove any static charge your body may have accumulated.

You can also take the following steps to prevent damage from electrostatic discharge (ESD):

- When unpacking a static-sensitive component from its shipping carton, do not remove the component from the antistatic packing material until you are ready to install the component. Just before unwrapping the antistatic packaging, be sure to discharge static electricity from your body.
- When transporting a sensitive component, first place it in an antistatic container or packaging.
- Handle all sensitive components in a static-safe area. If possible, use antistatic floor pads and workbench pads.

The following notice may appear throughout your Dell documentation to remind you of these precautions:



**NOTICE:** See "Protecting Against Electrostatic Discharge" in your *System Information Guide*.

# Finding Information and Assistance

The following table lists the resources that Dell provides as support tools. Additional resources may be shipped with your computer.

## Resources and Support Tools

Resource	Contents	Using the Resource
 <p>User's Guides</p>	<p>User's guides for your computer and devices</p>	<p>Depending on your operating system, double-click the <b>User's Guides</b> icon on your desktop, or click the <b>Start</b> button and then select <b>Help and Support</b> to access the documentation stored on your hard drive.</p> <p>Obtain information on the following:</p> <ul style="list-style-type: none"> <li>• Using your computer</li> <li>• Configuring system settings</li> <li>• Removing and installing parts</li> <li>• Installing and configuring software</li> <li>• Diagnosing a problem</li> <li>• Technical specifications</li> <li>• Getting technical assistance</li> </ul>
	<p><i>Drivers and Utilities</i> CD</p> <ul style="list-style-type: none"> <li>• Dell Diagnostics</li> <li>• Drivers</li> <li>• Utilities</li> <li>• Computer and device documentation</li> </ul>	<p>See the main menu on the <i>Drivers and Utilities</i> CD that came with your computer. Use the pull-down menu to make selections appropriate for your computer.</p> <p>Documentation and drivers are already installed on your computer when shipped from Dell. You can use this CD to access documentation, reinstall drivers, or run diagnostics tools.</p> <p>For more information, see your computer <i>User's Guide</i>.</p>
	<p>Service and Registration Labels</p> <ul style="list-style-type: none"> <li>• Express Service Code and Service Tag Sequence</li> <li>• Product Key (also called the Product ID or Certificate of Authenticity [COA])</li> </ul>	<p>The Express Service Code and Service Tag Sequence are unique identifiers for your Dell™ computer.</p> <p>You will need the Product Key (or Product ID) number to complete the operating system setup.</p>

---

**Resource****Contents****Using the Resource**

---

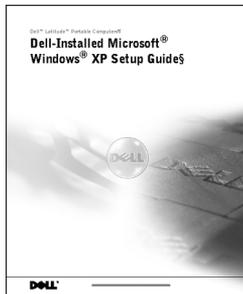


*Operating System* CD

To reinstall your operating system, use the *Operating System* CD that came with your computer.

**NOTE:** The *Operating System* CD may not include all the latest drivers for your computer. If you reinstall your operating system, use the *Drivers and Utilities* CD to reinstall drivers for the devices shipped with your computer.

For more information about installing your operating system, see the Dell-installed Microsoft® Windows® *Setup Guide* that came with your computer.



Dell-installed Windows *Setup Guide*

See the *Setup Guide* for information on installing and configuring your operating system.

**NOTE:** To obtain information on your operating system, click the **Start** button and click **Help** or **Help and Support**, depending on your operating system.

---

**support.dell.com**

Dell | Support website

- Frequently asked questions
- Downloads for your computer
- Documentation
- Online discussions about your computer
- Searchable database

Go to [support.dell.com](http://support.dell.com) and complete the one-time registration:

- View the *User's Guide* for your computer
  - Get help with general usage, installation, and troubleshooting questions (Ask Dudley, Dell Knowledge Base)
  - Access documentation about your computer and devices (Dell Documents)
  - Get the latest versions of the drivers for your computer (Downloads for Your Dell)
  - Join online discussions with other Dell customers and Dell technical professionals (Dell Talk)
  - Explore a list of online links to Dell's primary vendors
-

Resource	Contents	Using the Resource
<a href="http://PremierSupport.Dell.com">Premier Support.Dell.com</a>	Dell Premier Support website <ul style="list-style-type: none"><li>• Service call status</li><li>• Top technical issues by product</li><li>• Frequently asked questions by product number</li><li>• Customized service tags</li><li>• System configuration detail</li></ul>	Go to <a href="http://premiersupport.dell.com">premiersupport.dell.com</a> : The Dell Premier Support website is customized for corporate, government, and education customers. This service may not be available in all regions.

## Setting Up Your Computer

- 1 Unpack the accessories box.
- 2 Set aside the contents of the accessories box, which you will need to complete the setup of your computer.

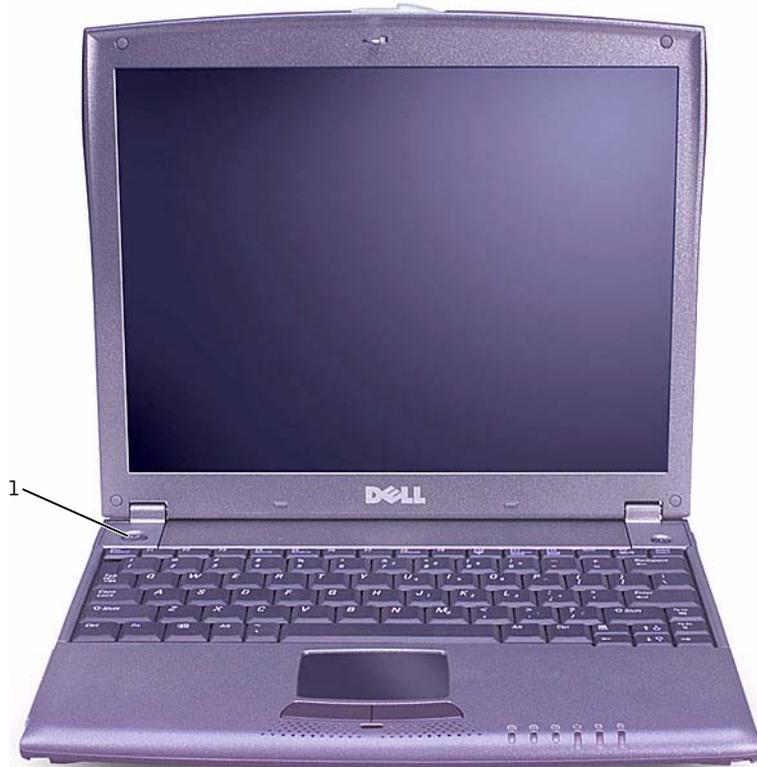
The accessories box also contains user documentation and any software or additional hardware (such as PC Cards, drives, or batteries) you have ordered.

- 3 Connect the AC adapter to the AC adapter connector and to the electrical outlet.



- 4 Open the computer display and press the power button to turn on the computer.

**NOTE:** Do not connect the computer to the X200 Media Base until the computer has been turned on and shut down at least once.



1 power button

## About Your Computer

### Front View

**CAUTION:** Do not block, push objects into, or allow dust to accumulate in the air vents. Doing so can damage the computer or cause a fire.



1	display latch	6	keyboard status lights
2	display	7	touch pad buttons (2)
3	Dell™ AccessDirect™ button	8	speakers (2)
4	keyboard	9	touch pad
5	device status lights	10	power button

## Left Side View

**➡ NOTICE:** To avoid damaging the computer, wait 5 seconds after turning off the computer before you disconnect an external device.

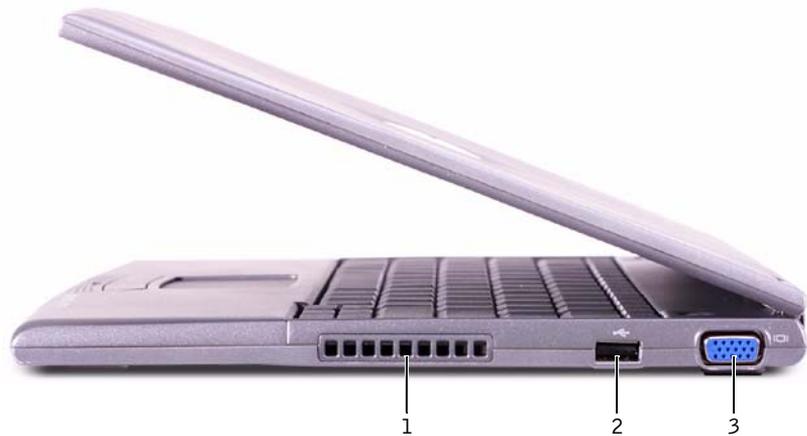


1	modem connector	5	1394 connector
2	network connector	6	audio connectors
3	AC adapter connector	7	PC Card slot
4	USB connector		

## Right Side View

**⚠ CAUTION:** Do not block, push objects into, or allow dust to accumulate in the air vents. Doing so can damage the computer or cause a fire.

**➡ NOTICE:** To avoid damaging the computer, wait 5 seconds after turning off the computer before you disconnect an external device.



- 1 air vents
- 2 USB connector
- 3 video connector

## Back View



- 1 security cable slot

## Bottom View

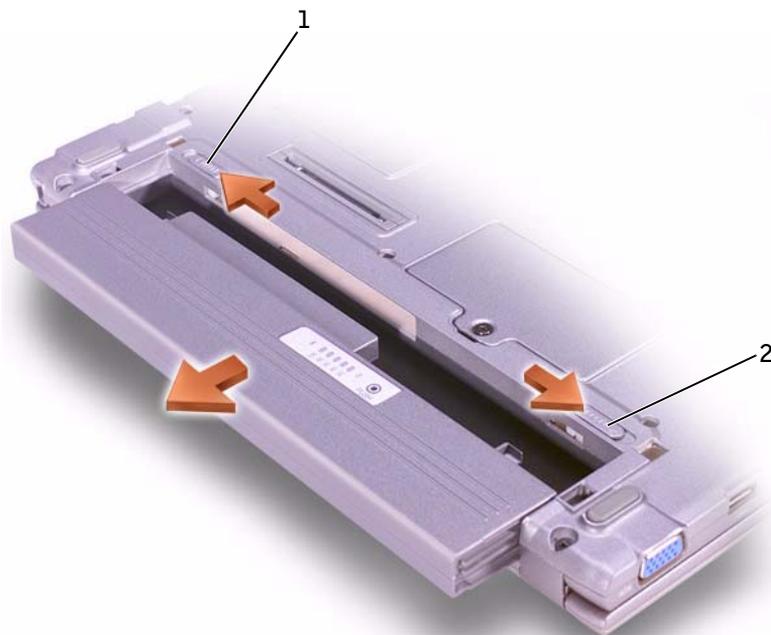


1	memory module cover	5	battery lock latch
2	battery gauge	6	media base docking connector
3	battery/battery bay	7	Mini PCI card cover
4	battery release latch		

## Removing a Battery

➔ **NOTICE:** If you choose to replace the battery with the computer in standby mode, you have up to 1 minute to complete the battery replacement before the computer shuts down and loses any unsaved data.

- 1 Ensure that the computer is turned off, suspended in a power management mode, or connected to an electrical outlet.
- 2 If the computer is docked, undock it.
- 3 Slide the battery lock latch on the bottom of the computer to the unlock position.
- 4 Slide and hold the battery release latch on the bottom of the computer, and then remove the battery from the bay.



---

1 battery lock latch

---

2 battery release latch

---

## Installing a Battery

- 1 Slide the battery into the bay until the latch release clicks.
- 2 Slide the battery lock latch into the lock position.

## Running the Dell Diagnostics

Dell provides a number of tools to help you if your computer does not perform as expected. For information on these help tools, see your *User's Guide*.

If you have a computer problem and are unable to access the online *User's Guide*, use the Dell Diagnostics to help you determine the cause of the problem and to help you solve it. The Diagnostics are on the *Drivers and Utilities* CD that came with your computer.

To start the Diagnostics, perform the following steps:

- 1 Turn off the computer.
- 2 Ensure that the computer is connected to an electrical outlet.
- 3 Turn on the computer with the *Drivers and Utilities* CD in the CD DVD/CD-RW drive.
- 4 Press  to enter the system setup program as soon as the Dell logo screen appears, and before the Microsoft® Windows® logo screen appears.
- 5 Press the right arrow key to move to the **Boot** screen and make a note of the first device in the boot sequence list.
- 6 Use the up or down arrow key to highlight **CD-ROM Drive**, and then use the  key to move it to the top of the boot sequence list.

 **NOTE:** Run the Diagnostics before you call Dell technical support because the diagnostic tests provide information you may need when you call.

 **NOTE:** Write down your current boot sequence in the event you want to restore it after running the Dell Diagnostics.

- 7 Press  and select **Yes** to save your changes, exit the system setup program, and restart the computer to boot from the CD.

The computer starts and automatically begins to run the Dell Diagnostics.

The Dell logo screen appears, followed by a message telling you that the diagnostics is loading. After the diagnostics loads, the **Diagnostics Menu** appears.

To select an option from this menu, highlight the option and press



, or press the key that corresponds to the highlighted letter in the option you choose.

- 8 When you have completed running diagnostics, remove the *Drivers and Utilities* CD.
- 9 When the computer restarts, press  as soon as the Dell logo screen appears, and before the Microsoft Windows logo screen appears.
- 10 In the system setup program, press the right arrow key to move to the **Boot** screen.
- 11 Reset the first device in the boot sequence list to the device noted in step 5.
- 12 Press  and select **Yes** to save your changes, exit the system setup program, and restart Microsoft Windows.

# Regulatory Notices

Electromagnetic Interference (EMI) is any signal or emission, radiated in free space or conducted along power or signal leads, that endangers the functioning of a radio navigation or other safety service or seriously degrades, obstructs, or repeatedly interrupts a licensed radio communications service. Radio communications services include but are not limited to AM/FM commercial broadcast, television, cellular services, radar, air-traffic control, pager, and Personal Communication Services (PCS). These licensed services, along with unintentional radiators such as digital devices, including computers, contribute to the electromagnetic environment.

Electromagnetic Compatibility (EMC) is the ability of items of electronic equipment to function properly together in the electronic environment. While this computer has been designed and determined to be compliant with regulatory agency limits for EMI, there is no guarantee that interference will not occur in a particular installation. If this equipment does cause interference with radio communications services, which can be determined by turning the equipment off and on, you are encouraged to try to correct the interference by one or more of the following measures:

- Reorient the receiving antenna.
- Relocate the computer with respect to the receiver.
- Move the computer away from the receiver.
- Plug the computer into a different outlet so that the computer and the receiver are on different branch circuits.

If necessary, consult a Dell Technical Support representative or an experienced radio/television technician for additional suggestions.

Dell computers are designed, tested, and classified for their intended electromagnetic environment. These electromagnetic environment classifications generally refer to the following harmonized definitions:

- Class A is typically for business or industrial environments.
- Class B is typically for residential environments.

Information Technology Equipment (ITE), including devices, expansion cards, printers, input/output (I/O) devices, monitors, and so on, that are integrated into or connected to the computer should match the electromagnetic environment classification of the computer.

**A Notice About Shielded Signal Cables:** Use only shielded cables for connecting devices to any Dell device to reduce the possibility of interference with radio communications services. Using shielded cables ensures that you maintain the appropriate EMC classification for the intended environment. For parallel printers, a cable is available from Dell. If you prefer, you can order a cable from Dell on the World Wide Web at [accessories.us.dell.com/sna/segmenter/asp](http://accessories.us.dell.com/sna/segmenter/asp).

Most Dell computers are classified for Class B environments. However, the inclusion of certain options can change the rating of some configurations to Class A. To determine the electromagnetic classification for your computer or device, refer to the following sections specific for each regulatory agency. Each section provides country-specific EMC/EMI or product safety information.

### **Battery Disposal**



Your computer uses a lithium-ion battery and a nickel-metal hydride (NiMH) coin-cell battery. For instructions about replacing the lithium-ion battery in your computer, see "Removing a Battery" and "Installing a Battery" in your *System Information Guide*. The NiMH battery is a long-life battery, and it is very possible that you will never need to replace it. However, should you need to replace it, the procedure must be performed by an authorized service technician.

Do not dispose of the battery along with household waste. Contact your local waste disposal agency for the address of the nearest battery deposit site.

Dell™ Latitude™ X200

# Systeminformatiehandleiding



# Opmerkingen, kennisgevingen en voorlichtingmeldingen



**OPMERKING:** Een OPMERKING duidt belangrijke informatie aan voor een beter gebruik van de computer.



**KENNISGEVING:** Een KENNISGEVING duidt mogelijke beschadiging van de hardware of gegevensverlies aan en geeft aan hoe u dit probleem kunt voorkomen.



**VOORZICHTIG: Een WAARSCHUWING duidt het risico van schade aan eigendommen, persoonlijk letsel of de dood aan.**

## Afkortingen en acroniemen

Raadpleeg de *Gebruikershandleiding* voor een volledige lijst van afkortingen en acroniemen (afhankelijk van het besturingssysteem dubbelklikt u hiervoor op het pictogram *Gebruikershandleiding* op het bureaublad of klikt u op de knop **Start** en vervolgens op **Help** en **Support Center** en **User and system guides** (*Gebruikers- en systeemhandleidingen*)).

---

De informatie in dit document kan zonder voorafgaande kennisgeving worden gewijzigd.  
© 2002 Dell Computer Corporation. Alle rechten voorbehouden.

Verveelvoudiging van dit materiaal, op welke wijze dan ook, is alleen toegestaan na uitdrukkelijke, schriftelijke toestemming van Dell Computer Corporation.

Handelsmerken in dit document: *Dell*, het *DELL*-logo, *Latitude*, *TrueMobile* en *AccessDirect* zijn handelsmerken van Dell Computer Corporation. *Microsoft* en *Windows* zijn gedeponeerde handelsmerken van Microsoft Corporation.

Andere handelsmerken en handelsnamen die mogelijk in dit document worden gebruikt, dienen ter aanduiding van de rechthebbenden met betrekking tot de merken en namen of ter aanduiding van hun producten. Dell Computer Corporation claimt op geen enkele wijze enig eigendomsrecht ten aanzien van andere handelsmerken of handelsnamen dan haar eigen handelsmerken en handelsnamen.

# Inhoud

<b>Veiligheidsvoorschriften en EMC-instructies:</b>	
<b>Draagbare computers</b> . . . . .	<b>31</b>
Voorzichtig: Veiligheidsinstructies . . . . .	31
EMC-instructies . . . . .	36
Bij gebruik van de computer . . . . .	36
Ergonomische overwegingen bij het werken met de computer . . . . .	38
Een geheugenmodule verwijderen of installeren . . . . .	39
Bescherming tegen elektrostatische ontlading . . . . .	40
<b>Informatie en hulp zoeken</b> . . . . .	<b>41</b>
<b>De computer instellen</b> . . . . .	<b>43</b>
<b>Over de computer</b> . . . . .	<b>44</b>
Voorkant . . . . .	44
Zijkant, links . . . . .	46
Zijkant, rechts . . . . .	47
Achterkant . . . . .	47
Onderkant . . . . .	48
<b>Een batterij verwijderen</b> . . . . .	<b>49</b>
<b>Een batterij installeren</b> . . . . .	<b>50</b>
<b>Dell-diagnoseprogramma uitvoeren</b> . . . . .	<b>50</b>
<b>Internationale kennisgevingen</b> . . . . .	<b>52</b>
De batterij verwijderen . . . . .	54



# Veiligheidsvoorschriften en EMC-instructies: Draagbare computers

Hierna volgt een definitie van de betekenis van de *aanvullende* symbolen die *alleen* worden gebruikt bij de veiligheidsvoorschriften en EMC-instructies (elektromagnetische compatibiliteit).



Ontploffingsgevaar



Vliegtuigen



Brandgevaar



Mogelijk is het gebruik van deze functie in vliegtuigen verboden



Risico op elektrische schokken



## Voorzichtig: Veiligheidsinstructies

### Algemeen

- Probeer niet zelf onderhoud te plegen aan de computer, tenzij u een bevoegde servicemonteur bent. Volg de installatie-instructies altijd nauwlettend op.
- Als u een verlengsnoer gebruikt met uw wisselstroomadapter, zorg er dan voor dat de totale hoeveelheid ampèrebelasting van de producten die in het verlengsnoer worden gestoken het ampèrebelastingtotaal van het verlengsnoer niet overschrijdt.
- Duw geen voorwerpen in de lucht- of andere openingen van de computer. Doet u dat wel, dan loopt u het risico brand of een elektrische schok te veroorzaken door kortsluiting in de interne onderdelen.





- Plaats bij het werken met de computer of het opladen van de batterij de stroomadapter op een plaats waar voldoende luchtcirculatie is, bijvoorbeeld op een bureau of op de grond. Dek de stroomadapter niet af met papier of andere voorwerpen waardoor het afkoelen wordt belemmerd, en gebruik de stroomadapter nooit terwijl deze zich in een draagtas bevindt.
- Als u de draagbare computer gebruikt, moet u deze niet gedurende langere tijd op de blote huid plaatsen. De oppervlaktetemperatuur van het apparaat stijgt bij normaal gebruik (met name bij het gebruik van een stroomadapter). Hierdoor zou u brandwonden kunnen oplopen.



- Gebruik de computer niet op een vochtige plaats, bijvoorbeeld bij een bad, gootsteen of zwembad of in een vochtig souterrain.



- Als de computer is voorzien van een geïntegreerde of optionele (pc-kaart) modem, moet u de modemkabel tijdens onweer loskoppelen om het (geringe) risico van een elektrische schok door blikseminslag via de telefoonlijn te vermijden.



- U kunt het risico van een elektrische schok vermijden door tijdens onweer geen kabels aan te sluiten of los te maken, geen onderhoud aan dit product te plegen en/of dit product niet opnieuw te configureren. Gebruik de computer niet tijdens onweer tenzij alle kabels zijn losgemaakt en de computer uitsluitend op batterijen werkt.
- Als de computer is voorzien van een modem, moet de modemkabel een minimumgrootte van 26 AWG (American Wire Gauge) hebben en een FCC-compatibele RJ-11 modulaire stekker.

- Pc-kaarten kunnen erg warm worden tijdens normaal gebruik. Wees voorzichtig als u na langdurig gebruik van de computer een pc-kaart verwijdert.
- Maak de stekker los voordat u de computer gaat reinigen. Maak de computer schoon met een zachte doek die met water vochtig is gemaakt. Gebruik geen vloeibare of spuitbare schoonmaakmiddelen, deze kunnen ontvlambare stoffen bevatten.



**Voorzichtig: Stroom (Veiligheidsinstructies, *vervolg*)**



- Gebruik alleen de door Dell meegeleverde AC-adapter die is goedgekeurd voor gebruik met deze computer. Als u een andere stroomadapter gebruikt, kan dit brand of een explosie veroorzaken.
- Voordat u de computer op een elektriciteitsbron aansluit, moet u controleren dat het voltage van de stroomadapter overeenkomt met dat van de beschikbare elektriciteitsbron.
- U schakelt de stroom naar de computer volledig uit door de computer uit te zetten, de batterij te verwijderen en de stroomadapterkabel uit het stopcontact te halen.



- U kunt een elektrische schok voorkomen door de stroomadapter en de stroomkabels van eventuele randapparatuur aan te sluiten op een geaard stopcontact. Deze stroomkabels kunnen zijn voorzien van een stekker met drie pinnen voor de aarding. Gebruik geen adapterstekkers en verwijder nooit de aardingspool uit de stekker. Als u een verlengsnoer gebruikt, moet u het juiste type gebruiken (met twee of drie pinnen) dat past op de stroomkabel van de adapter.



- Zorg dat er niets op de stroomkabel van de adapter ligt en dat niemand op deze kabel kan stappen of erover kan struikelen.
- Als u een stekkerdoos gebruikt, moet u voorzichtig zijn als u de stroomkabel van de adapter in de stekkerdoos steekt. In sommige stekkerdozen is het mogelijk de stekker er op de verkeerde manier in te steken. Als u de stekker er op de verkeerde manier insteekt, kan dit blijvende schade veroorzaken aan uw computer en kan er gevaar voor elektrische schokken of brand ontstaan. Zorg dat de aardingspool van de stekker in het bijpassende contactpunt op de stekkerdoos wordt aangesloten.



### **Voorzichtig: Batterij (Veiligheidsinstructies, *vervolg*)**



- Gebruik alleen Dell-batterijen die zijn goedgekeurd voor gebruik met deze computer. Als u een ander type gebruikt, kan dit brand of een ontploffing veroorzaken.
- Bewaar de batterij van de computer niet in uw broekzak of jaszak, portemonnee of ergens anders waar zich metalen voorwerpen zoals autosleutels of paperclips bevinden. Door overmatige stroomafgifte kunnen extreem hoge temperaturen ontstaan die schade aan de batterij of brand en brandwonden kunnen veroorzaken.
- Als u de batterij verkeerd gebruikt, kan deze brandgevaar opleveren. Haal de batterij niet uit elkaar. U moet een beschadigde of lekkende batterij met de grootste voorzichtigheid behandelen. Als de batterij is beschadigd, kan er elektrolyt uit de cellen lekken, wat lichamelijk letsel kan veroorzaken.
- Houd de batterij buiten bereik van kinderen.



- Laat uw computer of batterij nooit in de buurt van een warmtebron liggen, zoals een radiator, open haard, oven, elektrische kachel of andere warmteproducerende apparaten. Stel de computer of batterij ook op geen enkele andere wijze bloot aan temperaturen van meer dan 60°C (140°F). Als batterijcellen overmatig worden verhit, kunnen ze exploderen of kan inhoud wegstromen, waardoor brand kan ontstaan.



- Gooi oude batterijen niet weg met het huisvuil en gooi ze niet in vuur. Batterijcellen kunnen exploderen. Houd u bij het weggooien van oude batterijen aan de richtlijnen van de fabrikant of neem contact op met de plaatselijke afvalverwerking voor instructies. Gooi een gebruikte of beschadigde batterij direct weg.



### **Voorzichtig: Luchtverkeer (Veiligheidsinstructies, *vervolg*)**



- Als u uw Dell™-computer meeneemt in het vliegtuig, kunnen bepaalde regels van de luchtvaartmaatschappij van kracht zijn. Het kan bijvoorbeeld verboden zijn in het vliegtuig persoonlijke elektronische apparaten (PED's) te gebruiken die radiofrequenties of andere elektromagnetische signalen kunnen uitzenden.



- Als uw draagbare Dell-computer is voorzien van Dell TrueMobile™ of een ander apparaat voor draadloze communicatie, moet u dit, voordat u aan boord gaat, uitzetten en alle instructies van het cabinepersoneel omtrent dergelijke apparaten strikt opvolgen.



- Bovendien kan het gebruik van elke vorm van een PED (Personal Electronic Device), zoals een draagbare computer, in vliegtuigen verboden zijn op bepaalde momenten tijdens de vlucht, zoals tijdens de start en de landing. Sommige luchtvaartmaatschappijen bepalen dat op geen enkel moment onder de 3050 m (10.000 voet) vlieghoogte gebruik mag worden gemaakt van PED's. Volg de instructies van de luchtvaartmaatschappij met betrekking tot het gebruik van PED's strikt op.

## EMC-instructies

- Door het gebruik van afgeschermd signaalkabels bent u er zeker van dat de juiste EMC-classificatie voor de bedoelde omgeving wordt gehandhaafd. Voor parallelle printers is bij Dell een speciale kabel beschikbaar. U kunt deze kabel bij Dell bestellen via de website op [www.dell.com](http://www.dell.com).
- Statische elektriciteit kan de elektronische onderdelen in de computer beschadigen. U kunt beschadiging ten gevolge van statische elektriciteit voorkomen door de statische elektriciteit in uw lichaam te ontladen voordat u elektronische onderdelen van de computer (zoals een geheugenmodule) aanraakt. U doet dit door een ongeverfd metalen oppervlak op het I/O-paneel van de computer aan te raken.

## Bij gebruik van de computer

Neem de volgende veiligheidsmaatregelen in acht om schade aan de computer te voorkomen.

- Als u de computer voorbereidt op gebruik, moet u deze op een effen oppervlak plaatsen.
- Check bij een vliegtuig de computer niet als bagage in. De computer kan zonder enig bezwaar door de röntgencontrole, maar niet langs de metaaldetector. Als u de computer als handbagage meeneemt, moet u ervoor zorgen dat de batterij is opgeladen voor het geval u wordt gevraagd de computer aan te zetten.
- Als u de computer meeneemt op reis en u hebt de vaste schijf uit de computer verwijderd, moet u het schijfstation in niet-geleidend materiaal, zoals een doek of papier, verpakken. Als u het station als handbagage meeneemt, moet u dat op verzoek in de computer kunnen installeren. De vaste schijf kan zonder enig bezwaar door de röntgencontrole, maar niet langs de metaaldetector.
- Plaats de computer niet in de bagageruimte boven u. Tijdens de vliegtuigreis kan de computer gaan schuiven. Laat de computer niet vallen en stel het apparaat niet bloot aan mechanische schokken.
- Bescherm de computer, batterij en vaste schijf tegen vuil, stof, voedsel, vloeistoffen, bijzonder hoge of lage temperaturen en leg deze voorwerpen niet in de zon.

- Als u de computer naar verschillende omgevingen verplaatst met verschillende temperaturen en/of vochtigheidsgraden, kan zich condensatie voordoen op of in de computer. U voorkomt beschadiging van de computer door voldoende tijd te nemen voor het verdampen van het vocht voordat u de computer gebruikt.
- ➔ **KENNISGEVING:** Als u de computer van een omgeving met een lage temperatuur naar een omgeving met een hogere temperatuur brengt of andersom, moet u de computer aan de kamertemperatuur laten wennen voordat u deze aanzet.
- Maak een kabel los door aan de connector of aan het beugeltje voor trekontlasting te trekken en niet aan de kabel zelf. Als u de kabel uit de connector trekt, moet u ervoor zorgen dat u de connector recht uit de aansluiting trekt zodat de pinnen van de connector niet verbuigen. Als u een kabel aansluit, moet u beide connectoren op de juiste manier in de aansluiting steken.
- Hanteer alle onderdelen met zorg. Houd onderdelen, zoals een geheugenmodule, vast aan de randen en niet aan de pennen.
- Als u een geheugenmodule uit de systeemkaart wilt verwijderen, moet u de computer uitzetten, de stroomadapterkabel losmaken en vervolgens 5 seconden wachten voordat u verdergaat, zodat eventuele schade aan de systeemkaart wordt voorkomen.
- Reinig het scherm met een zachte, schone doek en een reinigingsmiddel voor glas dat geen was of schuurmiddel bevat. Breng het reinigingsmiddel aan op een doek en wrijf vervolgens met de doek in één richting over het scherm, van boven naar beneden. Als er vuil of vet op het scherm zit, moet u isopropylalcohol gebruiken in plaats van een glasreinigingsmiddel.
- Als de computer nat of beschadigd is, moet u de procedures volgen die staan beschreven in het gedeelte “Problemen met de computer oplossen” in de *Gebruikershandleiding*. Als u, nadat u deze procedures hebt gevolgd, vaststelt dat uw computer niet correct functioneert, kunt u contact opnemen met Dell. (zie “Help opvragen” in de *Gebruikershandleiding* voor het juiste telefoonnummer.)

## Ergonomische overwegingen bij het werken met de computer

 **VOORZICHTIG: Onjuist of langdurig gebruik van het toetsenbord kan leiden tot lichamelijk ongemak en zelfs letsel.**

 **VOORZICHTIG: Langdurig naar het beeldscherm of de externe monitor kijken, kan tot vermoeidheid van de ogen leiden.**

Houd u aan de volgende ergonomische richtlijnen voor comfortabel en efficiënt werken als u de computer opstelt en gaat gebruiken:

- Dit is een draagbare computer die niet is ontwikkeld voor continu gebruik als kantoorapparatuur. Voor langdurig gebruik op kantoor raden wij aan een externe monitor en een extern toetsenbord te gebruiken.
- Plaats de computer recht voor u.
- Zet het beeldscherm van de computer in de voor u juiste hoek, pas het contrast en/of de helderheid aan en pas het licht rondom u (zoals plafondverlichting, bureaulampen en gordijnen of jaloezieën van vensters in de buurt) aan om weerspiegeling en schittering op het beeldscherm tot een minimum te beperken.
- Als u een externe monitor op de computer aansluit, moet u deze op een comfortabele afstand van u plaatsen (ongeveer 51 tot 61 cm van uw ogen). Plaats het beeldscherm op ooghoogte of iets lager als u voor de monitor zit.
- Gebruik een stoel die het onderste gedeelte van uw rug goed ondersteunt.
- Houd uw onderarmen horizontaal en uw polsen in een neutrale en comfortabele positie terwijl u het toetsenbord, de touch pad, de track stick of de externe muis gebruikt.
- Gebruik altijd de palmsteun bij het toetsenbord, de touch pad of de track stick. Zorg voor voldoende ruimte om uw handen op het bureaublad te kunnen laten rusten als u een externe muis gebruikt.
- Laat uw bovenarmen langs uw lichaam hangen.
- Zit rechtop, met uw voeten op de grond en uw bovenbenen horizontaal.

- Als u zit, moet het gewicht van uw benen op uw voeten rusten en niet op de voorzijde van de stoelzitting. Pas, indien nodig, de hoogte van uw stoel aan of gebruik een voetensteun voor de juiste houding.
- Doe niet steeds hetzelfde werk achter elkaar maar wissel uw werkzaamheden af. Probeer uw werk zo te plannen dat u niet langdurig en zonder onderbreking hoeft te typen. Als u stopt met typen, probeer dan iets te doen waarbij u beide handen moet gebruiken.

## Een geheugenmodule verwijderen of installeren

Voordat u een geheugenmodule verwijdert of installeert, moet u de volgende stappen in de aangegeven volgorde uitvoeren.

- ➔ **KENNISGEVING:** U moet de computer alleen openmaken als u een geheugenmodule of mini-PCI-kaart installeert.
- ➔ **KENNISGEVING:** Voordat u de geheugenmodule verwijdert of een randapparaat losmaakt, moet u 5 seconden wachten nadat u de computer hebt uitgezet, zodat eventuele schade aan de systeemkaart wordt voorkomen.

- 1 Zet de computer en eventuele randapparatuur uit.
- 2 Haal de stekkers van de computer en randapparatuur uit het stopcontact om lichamelijk letsel of schokken te voorkomen. Koppel tevens eventuele telefoon- of telecommunicatielijnen los van de computer.
- 3 Haal de batterij uit het batterijcompartiment.
- 4 Zorg dat u bent geaard door het ongeverfde metalen oppervlak op het I/O-paneel aan de achterzijde van de computer aan te raken.

Raak tijdens het werken zo nu en dan het I/O-paneel aan om eventuele statische elektriciteit te ontladen die de interne onderdelen kan beschadigen.

## Bescherming tegen elektrostatische ontlading

Statische elektriciteit kan de elektronische onderdelen in de computer beschadigen. U kunt beschadiging ten gevolge van statische elektriciteit voorkomen door de statische elektriciteit in uw lichaam te ontladen voordat u elektronische onderdelen van de computer (zoals een geheugenmodule) aanraakt. U doet dit door een ongeverfd metalen oppervlak op het I/O-paneel van de computer aan te raken.

Als u aan de interne onderdelen van de computer werkt, moet u zo nu en dan een I/O-connector aanraken om eventuele statische elektriciteit in uw lichaam te ontladen.

U kunt ook de volgende voorzorgsmaatregelen nemen om beschadiging ten gevolge van elektrostatische ontlading (ESD) te voorkomen:

- Als u een voor statische elektriciteit gevoelig onderdeel uit de verpakking haalt, moet u het onderdeel in de antistatische verpakking laten totdat u het onderdeel gaat installeren. Voordat u het onderdeel uit de antistatische verpakking haalt, moet u eerst de statische elektriciteit in uw lichaam ontladen.
- Als u een gevoelig onderdeel wilt vervoeren, moet u dat in een antistatische verpakking plaatsen.
- Hanteer alle gevoelige onderdelen alleen in een ruimte die vrij is van statische elektriciteit. Gebruik, indien mogelijk, antistatische matten voor vloer en werkbank.

De volgende opmerking kan op diverse plaatsen in de Dell-documentatie voorkomen en maakt u attent op de bovenstaande voorzorgsmaatregelen:



**KENNISGEVING:** Zie "Bescherming tegen elektrostatische ontlading" in de *Systeeminformatiehandleiding*.

# Informatie en hulp zoeken

In de volgende tabel vindt u de bronnen die Dell ter ondersteuning biedt. Er kunnen nog extra bronnen met de computer zijn geleverd.

## Informatiebronnen en hulpmiddelen

Informatiebron	Inhoud	De informatiebron gebruiken
 <p>Gebruikershandleidingen</p>	<p>Gebruikershandleidingen voor de computer en randapparatuur</p>	<p>Afhankelijk van het besturingssysteem dat u gebruikt, dubbelklikt u op het pictogram <b>Gebruikershandleidingen</b> op het bureaublad of klikt u op de knop <b>Start</b> en selecteert u vervolgens <b>Help en Support</b> om toegang te krijgen tot de documentatie op de vaste schijf.</p> <p>Informatie krijgen over het volgende:</p> <ul style="list-style-type: none"> <li>• Het gebruik van de computer.</li> <li>• Het wijzigen van systeeminstellingen</li> <li>• Het verwijderen en installeren van onderdelen</li> <li>• Het installeren en configureren van software</li> <li>• Het vaststellen van problemen</li> <li>• Technische specificaties</li> <li>• Het opvragen van technische ondersteuning</li> </ul>
	<p>Cd <i>Drivers and Utilities</i> (Stuur- en hulpprogramma's)</p> <ul style="list-style-type: none"> <li>• Dell-diagnoseprogramma's</li> <li>• Stuurprogramma's</li> <li>• Hulpprogramma's</li> <li>• Documentatie bij computer en randapparatuur</li> </ul>	<p>Raadpleeg de cd <i>Drivers and Utilities</i> (Stuur- en hulpprogramma's) voor uw computer. Gebruik het vervolgkeuzemenu om de gewenste opties voor uw computer te selecteren.</p> <p>Documentatie en stuurprogramma's zijn al op de computer geïnstalleerd als deze door Dell is geleverd. U kunt deze cd gebruiken voor het lezen van documentatie, het opnieuw installeren van stuurprogramma's of het uitvoeren van diagnostische hulpprogramma's.</p> <p>Zie de <i>Gebruikershandleiding</i> van de computer voor meer informatie.</p>
	<p>Service- en registratielabels</p> <ul style="list-style-type: none"> <li>• Express Service Code en servicelabelnummer</li> <li>• Productcode (ook wel product-id of Certificate of Authenticity [COA] genoemd)</li> </ul>	<p>De Express Service Code en het servicelabelnummer zijn unieke identificatiemiddelen voor uw Dell™-computer. U hebt de productcode (of product-id) nodig om de installatie van het besturingssysteem te voltooien.</p>

## Informatiebron



## Inhoud

Cd *Operating System*  
(*Besturingssysteem*)

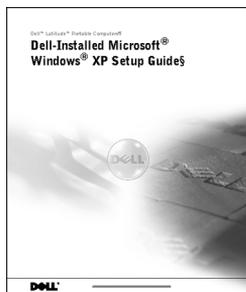
## De informatiebron gebruiken

Als u het besturingssysteem opnieuw wilt installeren, gebruikt u de cd *Operating System* (*Besturingssysteem*) die met de computer is meegeleverd.

**OPMERKING:** Mogelijk bevat de cd *Operating System* niet de meest recente stuurprogramma's. Als u het besturingssysteem opnieuw wilt installeren, gebruikt u de cd *Drivers and Utilities* (*Stuur- en hulpprogramma's*) om de stuurprogramma's die bij de computer zijn geleverd opnieuw te installeren.

Raadpleeg voor meer informatie over het installeren van het besturingssysteem de door Dell geïnstalleerde Microsoft® Windows® *Setup Guide* (*Installatiegids*) die met de computer is meegeleverd.

Door Dell geïnstalleerde  
Windows *Setup Guide*  
(*Installatiegids*)



Raadpleeg de *Setup Guide* (*Installatiegids*) voor informatie over het installeren en configureren van het besturingssysteem.

**OPMERKING:** Klik voor informatie over het besturingssysteem op de knop **Start** en klik op **Help** of **Help en ondersteuning**, afhankelijk van het besturingssysteem.

## support.dell.com

Dell | Support-website

- Veelgestelde vragen
- Downloads voor de computer
- Documentatie
- On line discussies over de computer
- Doorzoekbare database

Ga naar [support.dell.com](http://support.dell.com) om de eenmalige registratie te voltooien:

- Raadpleeg de *Gebruikershandleiding* van uw computer
- Help voor algemeen gebruik, installatie en probleemoplossing (Ask Dudley, Dell Knowledge Base)
- Toegang tot documentatie over de computer en randapparatuur (Dell-documenten)
- De laatste versies van stuurprogramma's (Downloads for Your Dell/Downloads voor uw systeem)
- Deelnemen aan on line discussies met andere Dell-klanten en technische specialisten van Dell (Dell Talk)
- Bekijk een lijst met on line koppelingen naar de belangrijkste leveranciers van Dell

Informatiebron	Inhoud	De informatiebron gebruiken
<a href="http://Premier.Support.Dell.com">Premier Support.Dell.com</a>	Dell Premier Support-website <ul style="list-style-type: none"> <li>• Status van serviceverzoeken</li> <li>• De belangrijkste technische kwesties per product</li> <li>• Veelgestelde vragen per productnummer</li> <li>• Aangepaste servicelabels</li> <li>• Details over systeemconfiguratie</li> </ul>	Ga naar <a href="http://premiersupport.dell.com">premiersupport.dell.com</a> : De Dell Premier Support-website is aangepast voor overheids- en zakelijke klanten en onderwijsinstellingen. Mogelijk is deze service niet overal beschikbaar.

## De computer instellen

- 1 Haal de onderdelen uit de accessoiredoos.
- 2 Leg de onderdelen terzijde. U hebt deze nodig om het instellen van de computer te kunnen voltooien.

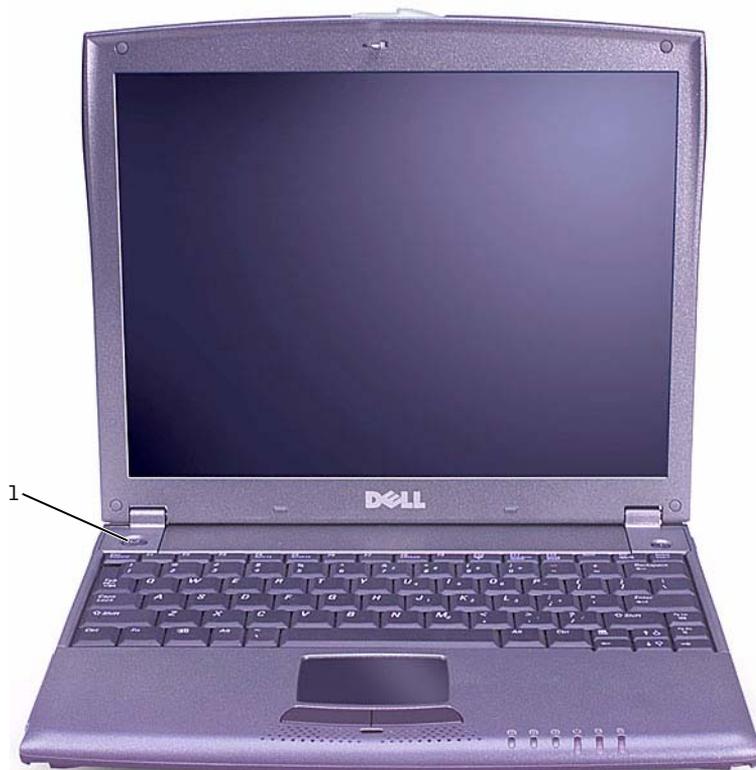
De accessoiredoos bevat tevens gebruikersdocumentatie en eventuele software of extra hardware die u hebt besteld (zoals pc-kaarten, stations of batterijen).

- 3 Verbind de stroomadapter met de connector en de netspanning.



- 4 Open de computerdisplay en druk op de Aan/uit-knop om de computer in te schakelen.

**OPMERKING:** Sluit de computer pas aan op de X200 Media Base als u de computer ten minste één keer hebt in- en uitgeschakeld.



---

1 aan/uit-knop

---

## Over de computer

### Voorkant

**!** **VOORZICHTIG:** Blokkeer de luchtopeningen niet, duw er geen voorwerpen in en zorg dat er zich geen stof in ophoopt. Op die manier voorkomt u het risico van brand of beschadiging van de computer.



1	schuifje van beeldscherm	6	toetsenbordstatuslampjes
2	beeldscherm	7	touchpadknoppen (2)
3	Dell™ AccessDirect™-knop	8	luidsprekers (2)
4	toetsenbord	9	touch pad
5	apparaatstatuslampjes	10	aan/uit-knop

## Zijkant, links

➡ **KENNISGEVING:** Wacht 5 seconden na het uitschakelen van de computer met het loskoppelen van een extern apparaat. Doet u dat niet, dan loopt u het risico de computer beschadigen.

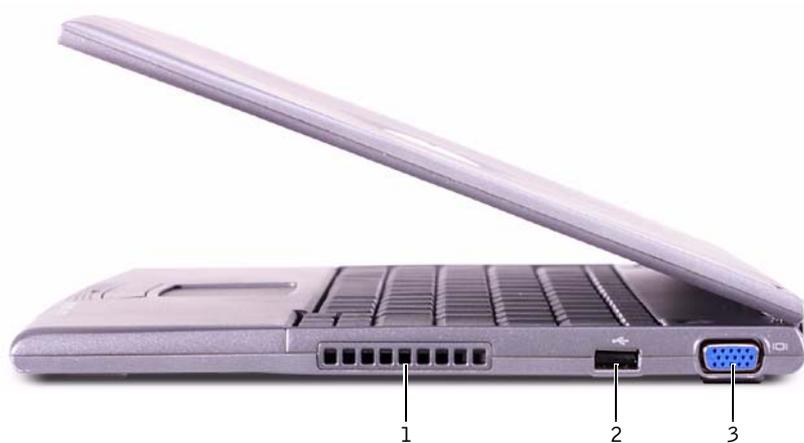


1	modemconnector	5	1394-connector
2	netwerkconnector	6	audioconnectoren
3	stroomadapterconnector	7	pc-kaartslot
4	USB-connector		

## Zijkant, rechts

**!** **VOORZICHTIG:** Blokkeer de luchtopeningen niet, duw er geen voorwerpen in en zorg dat er zich geen stof in ophoopt. Op die manier voorkomt u het risico van brand of beschadiging van de computer.

**➔** **KENNISGEVING:** Wacht 5 seconden na het uitschakelen van de computer met het loskoppelen van een extern apparaat. Doet u dat niet, dan loopt u het risico de computer beschadigen.



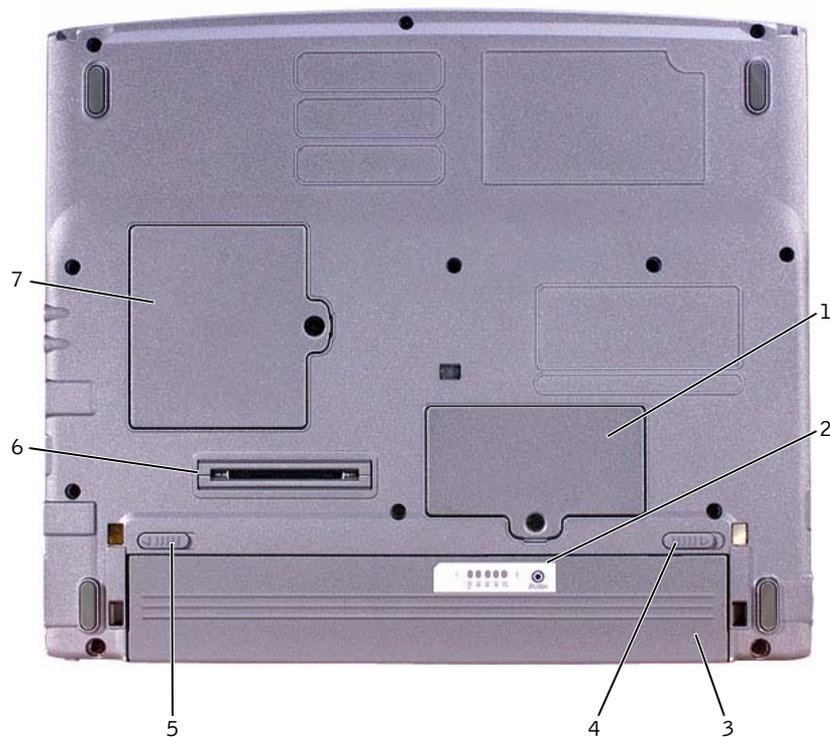
- |   |                |
|---|----------------|
| 1 | luchtopeningen |
| 2 | USB-connector  |
| 3 | videoconnector |

## Achterkant



- |   |                       |
|---|-----------------------|
| 1 | beveiligingskabelslot |
|---|-----------------------|

## Onderkant

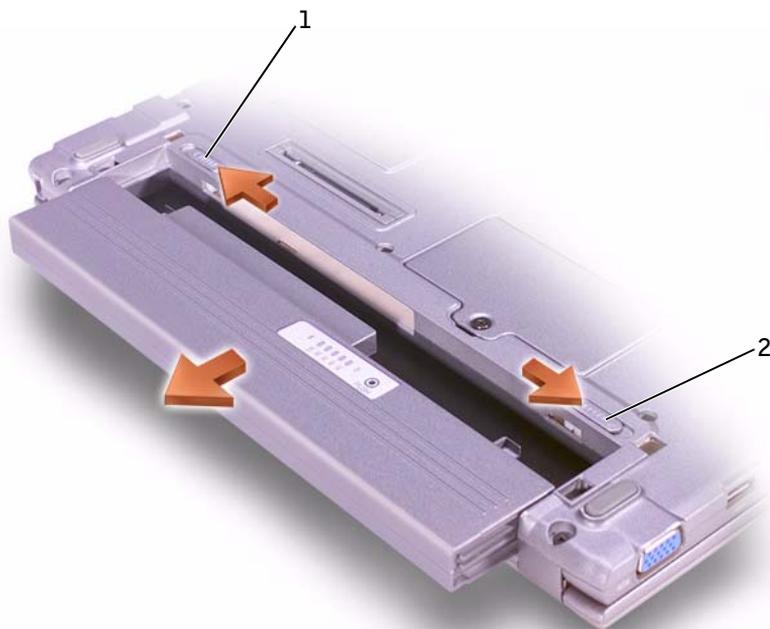


1	geheugenmodulekap	5	vergrendelingsschuijfje batterij
2	batterijmeter	6	Media Base-docking-connector
3	batterij/batterijhouder	7	Mini-PCI-kaartkap
4	ontgrendelingsschuijfje batterij		

## Een batterij verwijderen

➔ **KENNISGEVING:** Als u de computer in de modus Stand-by hebt geplaatst, hebt u 1 minuut de tijd om de batterij te vervangen, voordat de computer wordt uitgeschakeld en niet-opgeslagen gegevens verloren gaan.

- 1 Zorg dat de computer is uitgeschakeld, in een energiebeheermodus staat of is losgekoppeld van de netspanning.
- 2 Als de computer zich in een docking-station bevindt, moet u de computer uit dat station halen.
- 3 Schuif het vergrendelingsschuijfe van de batterijhouder aan de onderzijde van de computer naar de ontgrendelingspositie.
- 4 Open het ontgrendelingsschuijfe van de batterij aan de onderkant van de computer en verwijder de batterij uit de houder.



---

1 vergrendelingsschuijfe batterij

---

2 ontgrendelingsschuijfe batterij

---

## Een batterij installeren

- 1 Schuif de nieuwe batterij in de batterijhouder tot het schuifje vastklikt.
- 2 Schuif het vergrendelingsschuifje van de batterij naar de vergrendelingspositie.

## Dell-diagnoseprogramma uitvoeren

Dell biedt een aantal hulpmiddelen die u kunt gebruiken wanneer uw computer niet naar wens functioneert. Zie de *Gebruikershandleiding* voor informatie over deze hulpprogramma's.

Als u een probleem hebt met de computer en de on line *Gebruikershandleiding* niet kunt openen, kunt u de Dell-diagnoseprogramma's gebruiken om de oorzaak van het probleem te bepalen en het probleem op te lossen. De diagnoseprogramma's staan op de cd *Drivers and Utilities (Stuur- en hulpprogramma's)* voor uw computer.

 **OPMERKING:** Voer de diagnoseprogramma's uit voordat u contact opneemt met de afdeling Technische ondersteuning van Dell; de diagnostische tests kunnen informatie verschaffen die u wellicht nodig hebt als u contact opneemt.

 **OPMERKING:** Schrijf de huidige opstartvolgorde op voor het geval u deze moet herstellen na het uitvoeren van de Dell-diagnoseprogramma's.

U start de diagnoseprogramma's als volgt:

- 1 Zet de computer uit.
- 2 Controleer of de computer is aangesloten op een stopcontact.
- 3 Zet de computer aan door de cd *Drivers and Utilities (Stuur- en hulpprogramma's)* in het cd-dvd-/cd-rw-station te plaatsen.
- 4 Druk op  om het programma voor de systeeminstallatie te starten zodra het scherm met het Dell-logo wordt weergegeven en voordat het scherm met het Microsoft® Windows®-logo verschijnt.
- 5 Druk op de toets Pijl-rechts om het **Opstartscherm** te verplaatsen en noteer welk apparaat als eerste in de lijst voor de opstartvolgorde staat.
- 6 Gebruik de toetsen Pijl-omhoog of Pijl-omlaag om **Cd-rom-station** te markeren en gebruik vervolgens de toets  om dit station bovenaan in de lijst voor de opstartvolgorde te plaatsen.

- 7 Druk op  en selecteer **Ja** om de wijzigingen op te slaan, het installatieprogramma af te sluiten en de computer opnieuw te starten om de computer vanaf de cd-rom te laten starten.

De Dell-diagnoseprogramma's worden direct automatisch uitgevoerd.

Het scherm met het Dell-logo wordt weergegeven, gevolgd door het bericht dat de diagnoseprogramma's worden geladen. Als het diagnoseprogramma is geladen, wordt het **Diagnostics -menu** weergegeven.

U kunt een optie in dit menu selecteren door de gewenste optie te markeren en vervolgens op  te drukken of door op de toets te drukken die overeenkomt met de gemarkeerde letter in de gekozen optie.

- 8 Als de diagnoseprogramma's zijn voltooid, verwijdert u de cd *Drivers and Utilities (Stuur- en hulpprogramma's)*.
- 9 Druk, als de computer opnieuw wordt gestart, op  om het programma voor de systeeminstallatie te starten zodra het scherm met het Dell-logo wordt weergegeven en voordat het scherm met het logo van Microsoft Windows verschijnt.
- 10 Druk in het installatieprogramma op de toets Pijl-rechts om het **Opstartscherm** te verplaatsen.
- 11 Stel het eerste apparaat in de lijst met de opstartvolgorde in op het oorspronkelijke apparaat dat u hebt genoteerd in stap 5.
- 12 Druk op  en selecteer **Ja** om de wijzigingen op te slaan, het installatieprogramma af te sluiten en Microsoft Windows opnieuw te starten.

## Internationale kennisgevingen

Elektromagnetische storingen (EMI) zijn in de vrije ruimte uitgestraalde of langs elektriciteits- of signaalkabels geleide emissiesignalen die de goede werking van radionavigatiediensten of andere veiligheidsdiensten in gevaar brengen of de kwaliteit van een gemachtigde radiocommunicatiedienst ernstig aantasten of deze dienst hinderen of herhaaldelijk onderbreken. Radiocommunicatiediensten omvatten onder andere commerciële AM/FM-radio-uitzendingen, televisie-uitzendingen, mobiele diensten, radar, luchtverkeer, semafoons en persoonlijke communicatiediensten (PCS). Deze gemachtigde diensten, samen met apparaten die onopzettelijk straling veroorzaken zoals digitale apparaten, waaronder computersystemen, dragen bij aan de elektromagnetische omgeving.

Elektromagnetische compatibiliteit (EMC) is het vermogen van elektronische apparatuur om zonder problemen in een elektronische omgeving te kunnen functioneren. Hoewel deze computer conform de door de overheid voorgeschreven EMI-bepalingen is ontworpen en goedgekeurd, is er geen garantie dat er geen storingen zullen optreden in een bepaalde installatie. Als deze apparatuur radiocommunicatiediensten stoort, hetgeen u kunt vaststellen door de apparatuur uit en weer aan te zetten, kunt u als volgt proberen de storing op te heffen:

- Richt de ontvangstantenne een andere kant op.
- Verplaats de computer ten opzichte van de ontvanger.
- Zet de computer verder van de ontvanger af.
- Sluit het netsnoer van de computer aan op een ander stopcontact, zodat de computer en de ontvanger niet op dezelfde groep zijn aangesloten.

Indien nodig, raadpleegt u iemand van de technische ondersteuningsstaf van Dell of een ervaren radio-/televisiereparateur voor aanvullende suggesties.

Dell-computers zijn ontworpen, getest en geclassificeerd in overeenstemming met de elektromagnetische omgeving waarvoor ze zijn bestemd. Ten aanzien van de classificaties voor de elektromagnetische omgeving wordt over het algemeen verwezen naar de volgende overeengekomen definities:

- Klasse A is kenmerkend voor een zakelijke of industriële omgeving.
- Klasse B is kenmerkend voor woongebieden.

Apparatuur voor informatietechnologie (ITE), met inbegrip van randapparatuur, uitbreidingskaarten, printers en I/O-apparaten, monitors, enzovoort, die in het systeem zijn geïntegreerd of op het systeem zijn aangesloten, moet overeenstemmen met de classificaties van het systeem ten aanzien van de elektromagnetische omgeving.

**Kennisgeving ten aanzien van afgeschermd signaalkabels: Gebruik uitsluitend afgeschermd kabels om randapparatuur aan te sluiten op Dell-apparaten om de kans op storing van radiocommunicatiediensten te verminderen. Door het gebruik van afgeschermd kabels bent u er zeker van dat de juiste EMC-classificatie voor de bedoelde omgeving wordt gehandhaafd. Voor parallelle printers is bij Dell een speciale kabel beschikbaar. U kunt deze kabel bij Dell bestellen via het World Wide Web op [accessories.us.dell.com/sna/segmenter/asp](http://accessories.us.dell.com/sna/segmenter/asp).**

De meeste Dell-computersystemen zijn geclassificeerd voor Klasse B-omgevingen. Door het toevoegen van bepaalde opties kunnen echter sommige configuraties wijzigen in Klasse A. Om de elektromagnetische classificatie voor de computer of het apparaat te bepalen, raadpleegt u de volgende secties die specifiek zijn voor elke regelgevende instantie. Elk gedeelte bevat landspecifieke informatie omtrent EMC/EMI of productbeveiliging.



## De batterij verwijderen

In de computer zit een lithium-ionenbatterij en een NiMH-knoopcelbatterij. Zie “Een batterij verwijderen” en “Een batterij installeren” in de *Systeeminformatiehandleiding* voor instructies over het vervangen van de lithium-ionenbatterij. De NiHM-batterij heeft een lange levensduur en het is heel goed mogelijk dat u deze nooit hoeft te vervangen. Mocht het echter noodzakelijk zijn om de batterij te vervangen, moet u dit door een bevoegde servicemonteur laten doen.

Gooi oude batterijen niet weg met het huisvuil. Lever ze in bij een chemokar of neem contact op met het plaatselijke vuilnisbedrijf voor het dichtstbijzijnde adres waar u batterijen kunt inleveren.

Dell™ Latitude™ X200

# Guide d'information sur le système

# Remarques, avis et précautions

 **REMARQUE** : Une REMARQUE fournit des informations importantes qui vous aident à mieux utiliser votre ordinateur.

 **AVIS** : Un AVIS vous avertit d'un risque de dommage matériel ou de perte de données et vous indique comment éviter le problème.

 **PRÉCAUTION** : Une PRÉCAUTION indique un risque potentiel d'endommagement du matériel, de blessure corporelle ou de mort.

## Abréviations et acronymes

Pour obtenir une liste complète des abréviations et des acronymes, reportez-vous au *Guide d'utilisation* (en fonction du système d'exploitation installé sur votre ordinateur, double-cliquez sur l'icône **User's Guide (Guide d'utilisation)** située sur le bureau ou cliquez sur le bouton **Start (Démarrer)** et cliquez successivement sur **Help and Support (Aide et support)** et **User and system guides (Guides de l'utilisateur et du système)**).

---

Les informations de ce document sont sujettes à modification sans préavis.  
© 2002 Dell Computer Corporation. Tous droits réservés.

Toute reproduction sans l'autorisation écrite de Dell Computer Corporation est strictement interdite.

Marques utilisées dans ce document : *Dell*, le logo *DELL*, *Latitude*, *TrueMobile* et *AccessDirect* sont des marques de Dell Computer Corporation ; *Microsoft* et *Windows* sont des marques déposées de Microsoft Corporation.

D'autres marques et noms commerciaux peuvent être utilisés dans ce document pour faire référence aux entités se réclamant de ces marques et de ces noms ou à leurs produits. Dell Computer Corporation dénie tout intérêt propriétaire aux marques et aux noms commerciaux autres que les siens.

# Sommaire

<b>Instructions de sécurité et de CEM (Compatibilité électromagnétique) : Ordinateurs portables . . . . .</b>	<b>59</b>
Précaution : Instructions de sécurité . . . . .	59
Instructions de CEM . . . . .	65
Lors de l'utilisation de votre ordinateur . . . . .	65
Précautions ergonomiques . . . . .	67
Lors du retrait ou de l'installation d'un module de mémoire . . . . .	68
Protection contre les décharges électrostatiques . . . . .	69
<b>Recherche d'informations et d'aide . . . . .</b>	<b>70</b>
<b>Configuration de votre ordinateur . . . . .</b>	<b>73</b>
<b>À propos de votre ordinateur . . . . .</b>	<b>74</b>
Vue avant . . . . .	74
Vue du côté gauche . . . . .	76
Vue du côté droit . . . . .	77
Vue arrière . . . . .	77
Vue de dessous . . . . .	78
<b>Retrait d'une batterie . . . . .</b>	<b>79</b>
<b>Installation d'une batterie . . . . .</b>	<b>80</b>
<b>Exécution des diagnostics Dell . . . . .</b>	<b>80</b>
<b>Réglementations . . . . .</b>	<b>82</b>
Enlèvement de la batterie . . . . .	84



# Instructions de sécurité et de CEM (Compatibilité électromagnétique) : Ordinateurs portables

Les informations suivantes indiquent la signification des symboles *supplémentaires* utilisés *uniquement* dans les instructions de Sécurité et de Compatibilité Électromagnétique (CEM).



Risque d'explosion



Symbole de référence avion



Risque d'incendie



L'utilisation de cette fonction peut être interdite en avion



Risque de choc électrique



## Précaution : Instructions de sécurité

### Généralités

- N'essayez pas de réparer l'ordinateur vous-même à moins que vous ne soyez un technicien qualifié. Suivez toujours scrupuleusement les instructions d'installation.
- Si vous raccordez une rallonge à votre adaptateur CA/CC, assurez-vous que l'intensité totale du courant drainé par tous les appareils raccordés à cette rallonge ne dépasse pas la limite de cette dernière.
- N'insérez pas d'objets dans les orifices d'aération ou dans les ouvertures de votre ordinateur. Cela risquerait de provoquer un incendie ou un choc électrique dû à un court-circuit des composants internes.





- L'adaptateur CA/CC doit se trouver dans une zone aérée, par exemple sur un bureau ou sur le sol, lorsqu'il est utilisé pour alimenter l'ordinateur ou pour charger la batterie. Ne recouvrez pas l'adaptateur CA/CC de papiers ou autres objets susceptibles d'entraver le refroidissement. De même, n'utilisez pas l'adaptateur CA/CC dans une mallette de transport.
- Évitez de poser votre ordinateur portable en fonctionnement à même la peau pendant une période prolongée. La température augmente sur la surface de la base pendant le fonctionnement normal de l'ordinateur (notamment s'il est alimenté par le secteur). Le contact prolongé avec la peau peut provoquer inconfort ou brûlure.



- N'utilisez pas votre ordinateur dans un environnement humide, par exemple près d'une baignoire, d'un évier, d'une piscine ou dans un sous-sol humide.



- Si votre ordinateur comprend un modem intégré ou en option (carte PC), débranchez le câble du modem en cas d'orage afin d'éviter tout risque de décharge électrique transmise par un éclair via la ligne téléphonique.



- Pour éviter tout risque de décharge électrique, n'effectuez aucun branchement ou débranchement, ni aucune opération de maintenance ou de reconfiguration de ce produit pendant un orage. N'utilisez pas votre ordinateur pendant un orage, à moins qu'il n'ait été déconnecté de tous ses câbles et qu'il fonctionne sur batterie.
- Si votre ordinateur comprend un modem, le câble utilisé avec ce modem doit être de type 26 AWG (American wire gauge), et comporter une fiche modulaire RJ-11 conforme à la norme FCC.

- Une carte PC peut chauffer considérablement en fonctionnement normal. Faites donc très attention lorsque vous les retirez après une utilisation prolongée.
- Avant de nettoyer votre ordinateur, mettez-le hors tension. Nettoyez votre ordinateur avec un tissu doux et humidifié avec de l'eau. N'utilisez pas de liquide ni d'aérosol nettoyants, ceux-ci peuvent contenir des substances inflammables.



**Précaution : Alimentation (Instructions de sécurité, *suite*)**



- Utilisez uniquement l'adaptateur CA/CC fourni par Dell et homologué pour cet ordinateur. L'utilisation d'un autre adaptateur CA/CC peut provoquer un incendie ou une explosion.
- Avant de raccorder l'ordinateur à une prise électrique, assurez-vous que la tension du secteur est compatible avec la tension d'entrée de l'adaptateur de CA/CC.
- Pour mettre l'ordinateur totalement hors tension, éteignez-le, retirez sa batterie et débranchez l'adaptateur CA/CC de la prise de courant.



- Pour éviter tout risque de décharge électrique, branchez l'adaptateur CA/CC et les cordons d'alimentation de l'ordinateur et de ses périphériques sur des prises possédant un circuit de mise à la terre adéquat. Il se peut que ces câbles d'alimentation soient équipés de prises à trois broches afin de fournir une mise à la terre. N'utilisez pas les fiches intermédiaires ou ne retirez pas la broche de masse d'un câble. Si vous utilisez une rallonge électrique, veillez à ce qu'elle comporte des prises à deux ou trois broches, afin de pouvoir la raccorder au câble d'alimentation de l'adaptateur CA/CC.

- Assurez-vous que rien ne repose sur le cordon d'alimentation de l'adaptateur CA/CC et que ce cordon n'est pas placé dans un endroit où l'on pourrait marcher ou trébucher dessus.



- Si vous utilisez une barrette d'alimentation multiprise, soyez prudent lorsque vous y raccordez le cordon de l'adaptateur CA/CC. Certaines rampes d'alimentation peuvent ne pas empêcher l'insertion d'une prise de façon incorrecte. L'insertion incorrecte de la prise de courant peut provoquer un dommage irréparable sur votre ordinateur, ainsi qu'un risque de choc électrique et/ou d'incendie. Assurez-vous que le contact de mise à la terre de la prise de courant est inséré dans le contact de mise à la terre correspondant de la rampe d'alimentation.



#### **Précaution : Batterie (Instructions de sécurité, *suite*)**



- Utilisez uniquement des modules de batterie homologués pour cet ordinateur. L'utilisation d'autres types de modules peut présenter un risque d'incendie ou d'explosion.



- Ne transportez pas de batterie d'ordinateur dans votre poche, dans votre sac ou dans tout autre conteneur contenant également des objets métalliques (clés ou trombones, par exemple) susceptibles de court-circuiter les bornes de la batterie. L'excès de flux de courant qui en résulterait pourrait entraîner des températures extrêmement élevées et provoquer ainsi des dommages sur la conception de la batterie ou provoquer une flamme ou des brûlures.

- En cas de traitement impropre, la batterie représente un danger de brûlure. Ne démontez pas la batterie. Manipulez les batteries endommagées ou percées avec une extrême précaution. Lorsqu'une batterie est endommagée, des électrolytes peuvent fuir des cellules et provoquer des dommages corporels.
- Conservez la batterie hors de portée des enfants.



- Ne rangez pas et ne laissez pas votre ordinateur ou votre batterie près d'une source de chaleur telle qu'un radiateur, une cheminée, une poêle, un appareil de chauffage électrique ou tout autre appareil générateur de chaleur et ne l'exposez pas à des températures supérieures à 60°C (140°F). Lorsque les batteries atteignent une température excessive, les cellules de la batterie peuvent exploser ou imploser, représentant alors un risque d'incendie.



- Ne jetez pas la batterie de votre ordinateur au feu ni avec les ordures ménagères. Les cellules de la batterie risquent d'exploser. Débarrassez-vous de la batterie usagée selon les instructions du fabricant ou contactez votre entreprise locale de ramassage des ordures afin de connaître les instructions de mise au rebut. Débarrassez-vous rapidement d'une batterie usagée ou endommagée.

**Précaution : Voyages en avion (Instructions de sécurité, *suite*)**

- Les réglementations de certaines administrations fédérales d'aviation et/ou les restrictions propres à chaque compagnie aérienne peuvent s'appliquer au fonctionnement de votre ordinateur Dell™ pendant que vous voyagez à bord d'un avion. Par exemple, ces réglementations/restrictions peuvent interdire l'utilisation de tout appareil électronique personnel ayant la capacité de transmettre intentionnellement des fréquences radio ou d'autres signaux électromagnétiques au cours d'un vol aérien.
  - Afin de vous conformer à ces restrictions et si votre ordinateur portable Dell est équipé d'un périphérique Dell TrueMobile™ ou de tout autre périphérique de communication sans fil, nous vous recommandons de le désactiver avant de monter à bord et de suivre toutes les instructions fournies à ce sujet par le personnel de navigation.
  - En outre, l'utilisation d'appareils électroniques personnels, comme un ordinateur portable, peut être interdite pendant certaines phases critiques du vol, par exemple pendant le décollage et l'atterrissage. Certaines compagnies aériennes déterminent parfois la phase critique à n'importe quel moment du vol, dans la mesure où l'avion vole au-dessous de 3050 m (10 000 pieds). Veuillez vous reporter aux consignes propres à chaque compagnie aérienne pour connaître les modalités d'utilisation des appareils électroniques personnels.

## Instructions de CEM

- Utilisez des câbles blindés afin de vous assurer de conserver la classification CEM adaptée à l'environnement donné. Dell propose un câble pour les imprimantes utilisant le port parallèle. Si vous préférez, vous pouvez commander ce câble auprès de Dell à partir de son site Internet [www.dell.com](http://www.dell.com).
- L'électricité statique peut endommager les composants internes de votre ordinateur. Pour éviter de tels dommages, déchargez l'électricité statique de votre corps avant de toucher tout composant électronique de votre ordinateur, comme par exemple, un module de mémoire. Pour ce faire, vous pouvez toucher une surface métallique non peinte du panneau d'E/S de l'ordinateur.

## Lors de l'utilisation de votre ordinateur

Suivez les consignes de sécurité suivantes afin d'éviter d'endommager votre ordinateur :

- Lorsque vous installez l'ordinateur pour travailler, placez-le sur une surface plane.
- Lorsque vous vous déplacez en avion, ne faites pas enregistrer votre ordinateur comme bagage. Vous pouvez soumettre votre ordinateur à la détection d'un dispositif de sécurité à rayons X, mais jamais à un détecteur de métaux. Veillez à toujours disposer d'une batterie chargée, au cas où l'on vous demanderait, lors d'un contrôle manuel, d'allumer l'ordinateur.
- Si vous êtes amené à voyager en ayant préalablement retiré l'unité de disque dur de l'ordinateur, veillez à envelopper le disque dur dans un matériau non-conducteur, tissu ou papier, par exemple. Si un contrôle manuel est effectué sur l'unité, soyez prêt à la réinstaller dans l'ordinateur. Vous pouvez soumettre le disque dur à la détection d'un dispositif de sécurité à rayons X, mais jamais à un détecteur de métaux.
- Lorsque vous voyagez, ne placez pas l'ordinateur dans les compartiments de rangement dans lesquels il risquerait de glisser et de se cogner contre les parois. Évitez de laisser tomber votre ordinateur et de le soumettre à tout autre choc mécanique.

- Protégez l'ordinateur, les batteries et l'unité de disque dur contre les risques liés à l'environnement : poussière, nourriture, liquides, températures extrêmes et exposition prolongée aux rayons du soleil.
  - Lorsque vous exposez votre ordinateur à des environnements présentant des différences de température et/ou d'humidité très marquées, de la condensation peut se former sur l'ordinateur ou à l'intérieur. Dans ce cas, attendez l'évaporation complète de cette humidité avant de réutiliser votre ordinateur, afin de pas l'endommager.
-  **AVIS :** Lorsque vous faites passer l'ordinateur d'un environnement à basse température à un environnement plus chaud, ou vice versa, laissez-le s'acclimater à la température ambiante avant de l'allumer.
- Lorsque vous débranchez un câble, tirez sur le connecteur ou sur la boucle prévue à cet effet, mais jamais sur le câble lui-même. Si vous tirez sur l'extrémité connecteur, maintenez ce dernier correctement aligné, afin d'éviter tout risque de torsion des broches. Pour la même raison, lors du raccordement d'un câble, vérifiez bien l'orientation et l'alignement des deux connecteurs.
  - Manipulez les composants avec précaution. Un composant tel qu'un module de mémoire doit être tenu par les bords, pas par les broches.
  - Avant de retirer un module de mémoire de la carte système, éteignez l'ordinateur, déconnectez le câble de l'adaptateur CA/CC et attendez 5 secondes. Cette précaution permet d'éviter d'endommager la carte système.
  - Nettoyez l'écran à l'aide d'un chiffon doux et propre et d'un nettoyant pour vitres ne contenant ni cire ni abrasif. Appliquez le produit sur le chiffon, et non directement sur l'écran, puis passez le chiffon sur l'écran toujours dans le même sens, de haut en bas. Si l'écran est tâché par de la graisse ou tout autre dépôt, utilisez de l'alcool isopropyl plutôt qu'un nettoyant pour vitres habituel.
  - Si votre ordinateur est mouillé ou endommagé, suivez les procédures décrites dans la section « Résolution de problèmes » du *Guide d'utilisation*. Si, après avoir suivi ces procédures, vous vous rendez compte que votre ordinateur ne fonctionne toujours pas correctement, contactez Dell. (Pour connaître le numéro à composer, reportez-vous à la section « Obtenir de l'aide », du *Guide d'utilisation*.)

## Précautions ergonomiques

 **PRÉCAUTION : Une utilisation prolongée ou inappropriée du clavier peut provoquer des blessures.**

 **PRÉCAUTION : Une exposition prolongée devant l'écran intégré ou le moniteur externe peut occasionner des troubles de la vue.**

Pour travailler efficacement et confortablement, observez ces conseils relatifs à l'ergonomie lorsque vous vous installez à votre poste de travail :

- Cet ordinateur est un ordinateur portable qui n'est pas conçu pour une utilisation prolongée dans un cadre professionnel. Pour une utilisation prolongée dans le cadre de votre activité professionnelle, nous vous recommandons d'utiliser un moniteur et un clavier externes.
- Positionnez votre ordinateur juste en face de vous.
- Réglez l'inclinaison du moniteur, son contraste et/ou sa luminosité, ainsi que l'éclairage ambiant (par exemple l'éclairage vertical, les lampes de bureau et les rideaux ou les stores des fenêtres proches) pour réduire l'éblouissement et les reflets sur l'écran.
- Lorsque vous utilisez un moniteur externe, placez-le à une distance visuelle confortable (généralement entre 50 et 60 centimètres des yeux). Assurez-vous que l'écran du moniteur est à hauteur de l'œil, ou légèrement plus bas, lorsque vous êtes assis devant.
- Utilisez une chaise avec un bon support lombaire.
- Conservez vos avant-bras en position horizontale avec les poignets dans une position neutre et confortable lorsque vous utilisez le clavier, le touchpad, le trackstick ou la souris externe.
- Utilisez systématiquement le repose-poignets avec le clavier, le touchpad ou le trackstick. Ménagez-vous un endroit où poser les mains lorsque vous utilisez une souris externe.
- Laissez la partie supérieure de vos bras pendre naturellement à vos côtés.
- Tenez-vous droit, avec les pieds posés au sol et les cuisses à l'horizontale.

- Lorsque vous êtes assis, assurez-vous que le poids de vos jambes repose sur vos pieds et non pas sur l'avant de votre chaise. Ajustez la hauteur de votre siège ou utilisez un repose-pieds si nécessaire pour conserver une position correcte.
- Variez vos activités. Essayez d'organiser votre emploi du temps de façon à ne pas prolonger les séances de frappe au clavier. Lorsque vous cessez de taper, essayez de trouver une activité nécessitant vos deux mains.

### Lors du retrait ou de l'installation d'un module de mémoire

Avant de retirer ou d'installer un module de mémoire, suivez les étapes ci-après dans l'ordre indiqué.

- ➡ **AVIS :** N'accédez à l'intérieur de votre ordinateur que lorsque vous installez un module de mémoire ou une carte Mini-PCI.
- ➡ **AVIS :** Patientez 5 secondes après avoir éteint l'ordinateur pour déconnecter un périphérique ou retirer un module de mémoire, afin d'éviter d'endommager la carte système.

- 1 Éteignez l'ordinateur et tous les autres périphériques qui y sont connectés.
- 2 Débranchez votre ordinateur et tous les périphériques connectés de leurs prises électriques pour réduire le risque de blessure ou de décharge électrique. Déconnectez également de l'ordinateur les lignes téléphoniques ou de télécommunication.
- 3 Retirez la batterie principale du compartiment de batterie.
- 4 Mettez-vous à la masse en touchant la surface métallique non peinte du panneau d'E/S situé à l'arrière de l'ordinateur.

Pendant votre intervention, touchez régulièrement le panneau E/S pour dissiper toute électricité statique qui pourrait endommager les composants internes.

## Protection contre les décharges électrostatiques

L'électricité statique peut endommager les composants internes de votre ordinateur. Pour éviter de tels dommages, déchargez l'électricité statique de votre corps avant de toucher tout composant électronique de votre ordinateur, comme par exemple, un module de mémoire. Il vous suffit pour cela de toucher une surface métallique non peinte sur le panneau d'E/S de l'ordinateur.

Tandis que vous continuez à travailler à l'intérieur de l'ordinateur, pensez à toucher un connecteur d'E/S de temps à autre pour vous débarrasser de la charge statique accumulée par votre corps.

Vous pouvez également prendre les mesures suivantes pour prévenir les dommages dus aux perturbations électrostatiques (ESD) :

- Lorsque vous déballez un composant sensible à l'électricité statique de son carton d'emballage, n'enlevez le composant de ce carton d'emballage antistatique que lorsque vous êtes prêt à l'installer. Juste avant d'ôter l'emballage antistatique, veillez à décharger votre corps de son électricité statique.
- Quand vous transportez un composant sensible, placez-le d'abord dans un emballage ou un conteneur antistatique.
- Manipulez tous les composants sensibles dans une zone antistatique. Si possible, utilisez des tapis antistatiques sur le sol et sur votre plan de travail.

L'avis suivant peut apparaître au fil de votre documentation Dell afin de vous rappeler ces précautions :

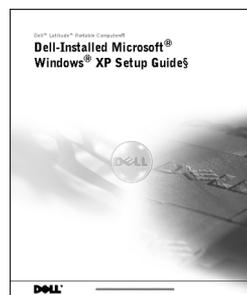
- ➔ **AVIS** : Reportez-vous à la section « Protection contre les décharges électrostatiques » du *Guide d'informations sur le système*.

## Recherche d'informations et d'aide

Le tableau suivant dresse la liste des ressources fournies par Dell en tant qu'outils de support. D'autres ressources peuvent être livrées avec votre ordinateur.

### Ressources et outils de support

Ressource	Contenu	Utilisation de la ressource
 <p>Guides d'utilisation</p>	<p>Guides d'utilisation de l'ordinateur et des périphériques</p>	<p>En fonction du système d'exploitation installé sur votre ordinateur, double-cliquez sur l'icône <b>User's Guides (Guides d'utilisation)</b>, située sur le bureau, ou cliquez sur le bouton <b>Start (Démarrer)</b> puis sélectionnez <b>Help and Support (Aide et support)</b> pour accéder à la documentation stockée sur l'unité de disque dur.</p> <p>Vous trouverez des informations sur les sujets suivants :</p> <ul style="list-style-type: none"> <li>• Utilisation de l'ordinateur</li> <li>• Configuration des paramètres du système</li> <li>• Retrait et remplacement des pièces</li> <li>• Installation et configuration des logiciels</li> <li>• Diagnostic d'un problème</li> <li>• Caractéristiques techniques</li> <li>• Assistance technique</li> </ul>
	<p>CD <i>Pilotes et utilitaires</i></p> <ul style="list-style-type: none"> <li>• Diagnostics Dell</li> <li>• Pilotes</li> <li>• Utilitaires</li> <li>• Documentation relative à l'ordinateur et aux périphériques</li> </ul>	<p>Reportez-vous au menu principal sur le CD <i>Drivers and Utilities (Pilotes et utilitaires)</i> fourni avec l'ordinateur. Utilisez le menu déroulant pour sélectionner les options appropriées pour votre ordinateur.</p> <p>La documentation et les pilotes sont déjà installés sur votre ordinateur lorsqu'il est livré par Dell. Vous pouvez utiliser ce CD pour accéder à la documentation, réinstaller des pilotes ou exécuter les outils de diagnostic.</p> <p>Pour plus d'informations, consultez le <i>Guide d'utilisation</i> de votre ordinateur.</p>

Ressource	Contenu	Utilisation de la ressource
<div data-bbox="152 243 378 312"> <p>WWW.DELL.COM Service Tag: XXXXX Express Service Code: XX-XXX-XX</p> </div> <div data-bbox="152 321 407 434"> <p>Windows OS Professional OEM Name Here</p>  </div>	<p>Étiquettes de service et d'enregistrement</p> <ul style="list-style-type: none"> <li>• Code de service express et numéro de service</li> <li>• Clé du produit [appelée également Product ID (Identification produit) ou Certificate of Authenticity [COA] (Certificat d'authenticité)]</li> </ul>	<p>Le code de service express et le numéro de service sont les seuls identifiants de votre ordinateur Dell™.</p> <p>Vous aurez besoin de la clé du produit (ou de l'identification produit) pour terminer l'installation du système d'exploitation.</p>
	<p>CD <i>Système d'exploitation</i></p>	<p>Pour réinstaller votre système d'exploitation, utilisez le CD <i>Système d'exploitation</i> fourni avec l'ordinateur.</p> <p><b>REMARQUE :</b> Le CD <i>Système d'exploitation</i> peut ne pas inclure tous les derniers pilotes pour votre ordinateur. Si vous réinstallez le système d'exploitation, utilisez le CD <i>Pilotes et utilitaires</i> pour réinstaller les pilotes des périphériques fournis avec votre ordinateur.</p> <p>Pour plus d'informations sur l'installation du système d'exploitation, reportez-vous au <i>Guide de configuration</i> de Microsoft® Windows® installé par Dell et fourni avec votre ordinateur.</p>
	<p><i>Guide de configuration</i> de Windows installé par Dell</p>	<p>Consultez le <i>Guide de configuration</i> pour obtenir des informations sur l'installation et la configuration de votre système d'exploitation.</p> <p><b>REMARQUE :</b> Pour obtenir des informations sur votre système d'exploitation, cliquez sur le bouton <b>Démarrer</b> puis cliquez sur <b>Help (Aide)</b> ou <b>Help and Support (Aide et support)</b>, en fonction du système d'exploitation installé sur votre ordinateur.</p>

Ressource	Contenu	Utilisation de la ressource
<b>support.dell.com</b>	Dell   Site Web de support technique <ul style="list-style-type: none"> <li>• Questions fréquemment posées</li> <li>• Téléchargements pour votre ordinateur</li> <li>• Documentation</li> <li>• Discussions en ligne relatives à votre ordinateur</li> <li>• Base de données consultable</li> </ul>	Visitez le site <a href="http://support.dell.com">support.dell.com</a> et inscrivez-vous une seule fois : <ul style="list-style-type: none"> <li>• Consultez le <i>Guide d'utilisation</i> de votre ordinateur.</li> <li>• Accédez à l'aide via les questions d'utilisation, d'installation et de dépannage (Ask Dudley [Demandez à Dudley] et Dell Knowledge Base [Base de connaissances Dell])</li> <li>• Accédez à la documentation relative à l'ordinateur et aux périphériques (Dell Documents [Documents Dell])</li> <li>• Procurez-vous les dernières versions des pilotes pour votre ordinateur (Downloads for Your Dell [Téléchargements pour votre ordinateur Dell])</li> <li>• Participez à des discussions en ligne avec d'autres clients et techniciens de Dell (Dell Talk [Discussions Dell])</li> <li>• Explorez une liste de liens en ligne vers les principaux revendeurs des produits Dell</li> </ul>
<b>Premier Support.Dell.com</b>	Site Web de support technique de Dell Premier <ul style="list-style-type: none"> <li>• État des appels de demande d'assistance</li> <li>• Principaux problèmes techniques classés par produit</li> <li>• Questions fréquemment posées par numéro de produit</li> <li>• Numéros de service personnalisés</li> <li>• Détails de la configuration du système</li> </ul>	Visitez le site <a href="http://premiersupport.dell.com">premiersupport.dell.com</a> : Le site Web Dell Premier Support est personnalisé pour les entreprises, l'administration publique et les établissements d'enseignement. Il se peut que ce service ne soit pas disponible dans tous les pays.

# Configuration de votre ordinateur

- 1 Déballez la boîte d'accessoires.
- 2 Mettez de côté le contenu de la boîte d'accessoires ; vous en aurez besoin ultérieurement pour compléter la configuration.

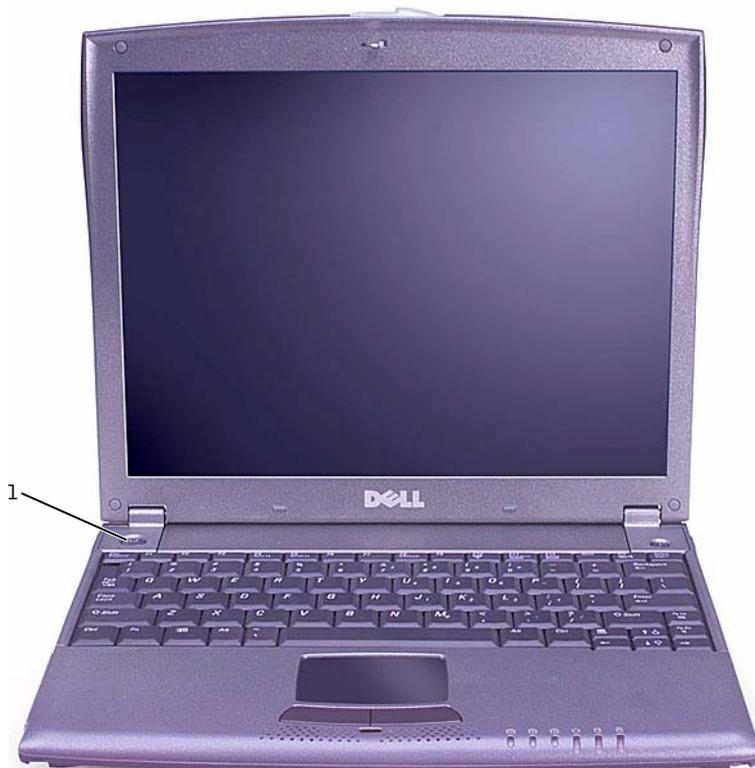
Cette boîte contient également la documentation utilisateur et tout autre logiciel ou matériel supplémentaire (cartes PC, lecteurs, batteries, etc.) que vous avez commandé.

- 3 Reliez l'adaptateur CA/CC au connecteur de l'adaptateur CA/CC et à une prise électrique.



**REMARQUE :** Ne connectez pas l'ordinateur au périphérique d'amarrage X200 Media Base tant qu'il n'a pas été mis sous tension et arrêté au moins une fois.

- 4 Ouvrez l'écran et appuyez sur le bouton d'alimentation pour mettre l'ordinateur sous tension.



1 Bouton d'alimentation

## À propos de votre ordinateur

### Vue avant

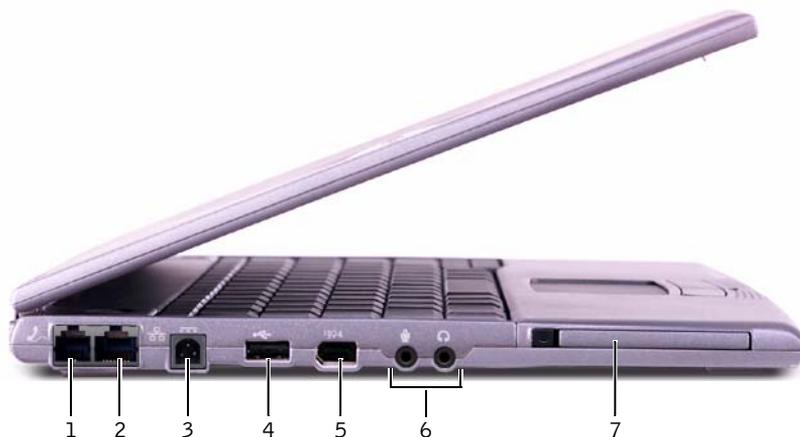
**!** **PRÉCAUTION :** Ne bloquez pas et n'insérez pas d'objets dans les orifices d'aération de l'ordinateur et évitez toute accumulation de poussière. Ceci peut endommager l'ordinateur ou provoquer un incendie.



1	Dispositif de blocage de l'écran	6	Voyants d'état du clavier
2	Écran	7	Boutons du touchpad (2)
3	Bouton Dell™ AccessDirect™	8	Haut-parleurs (2)
4	Clavier	9	Touchpad
5	Voyants de l'état du périphérique	10	Bouton d'alimentation

## Vue du côté gauche

➡ **AVIS :** Pour éviter d'endommager l'ordinateur, patientez 5 secondes après l'avoir éteint pour déconnecter un périphérique externe.

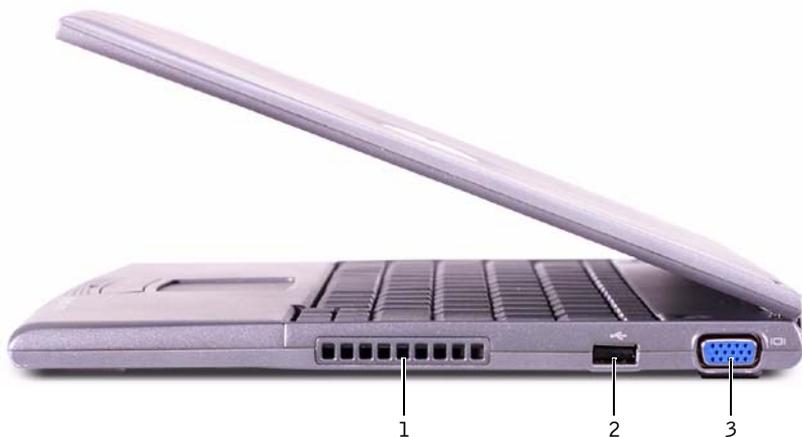


1	Connecteur de modem	5	Connecteur 1394
2	Connecteur réseau	6	Connecteurs audio
3	Connecteur de l'adaptateur CA/CC	7	Emplacement pour carte PC
4	Connecteur USB		

## Vue du côté droit

**⚠ PRÉCAUTION :** Ne bloquez pas et n'insérez pas d'objets dans les orifices d'aération de l'ordinateur et évitez toute accumulation de poussière. Ceci peut endommager l'ordinateur ou provoquer un incendie.

**➡ AVIS :** Pour éviter d'endommager l'ordinateur, patientez 5 secondes après l'avoir éteint pour déconnecter un périphérique externe.



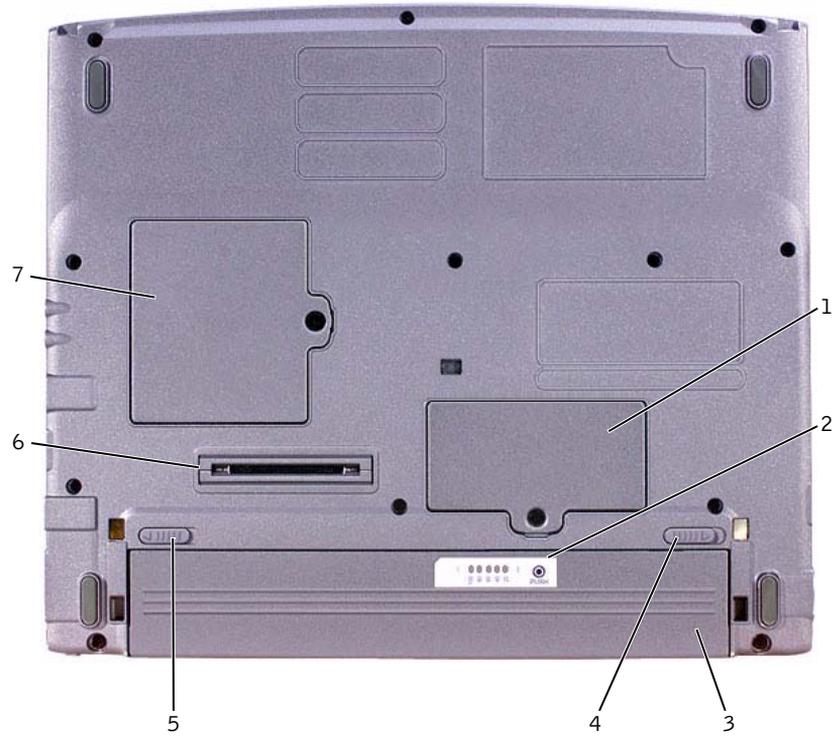
- |   |                     |
|---|---------------------|
| 1 | Orifices d'aération |
| 2 | Connecteur USB      |
| 3 | Connecteur vidéo    |

## Vue arrière



- |   |                                    |
|---|------------------------------------|
| 1 | Emplacement pour câble de sécurité |
|---|------------------------------------|

## Vue de dessous

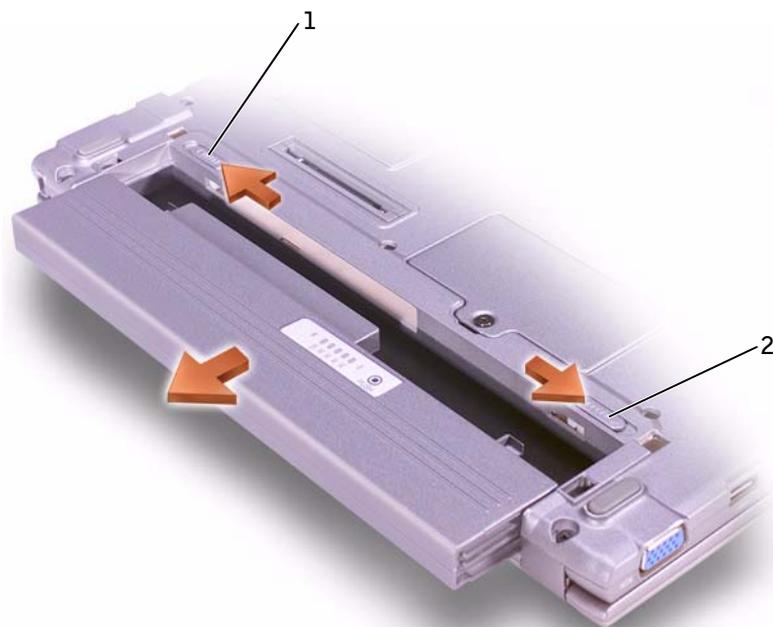


1	Capot du module de mémoire	5	Loquet de verrouillage de la batterie
2	Jauge de la batterie	6	Connecteur du périphérique d'amarrage
3	Batterie/baie de batterie	7	Capot de la carte Mini PCI
4	Déclencheur du loquet de la batterie		

## Retrait d'une batterie

➔ **AVIS :** Si vous souhaitez remplacer la batterie alors que l'ordinateur est en mode attente, vous disposez d'une minute pour effectuer cette opération. Une fois ce délai écoulé, l'ordinateur s'arrête et toutes les données non enregistrées sont définitivement perdues.

- 1 Assurez-vous que l'ordinateur est éteint, ou en mode gestion de l'alimentation, ou connecté à une prise électrique.
- 2 Si l'ordinateur est amarré, déconnectez-le.
- 3 Faites glisser le loquet de la batterie vers le bas de l'ordinateur, en position déverrouillée.
- 4 Faites glisser et maintenez le loquet de verrouillage de la batterie vers le bas de l'ordinateur, puis retirez la batterie de la baie.



- |   |                                       |
|---|---------------------------------------|
| 1 | Loquet de verrouillage de la batterie |
| 2 | Déclencheur du loquet de la batterie  |

## Installation d'une batterie

- 1 Faites glisser la batterie dans la baie jusqu'à ce que le loquet de verrouillage s'enclenche.
- 2 Faites glisser le loquet de verrouillage de la batterie en position verrouillée.

## Exécution des diagnostics Dell

Dell fournit un certain nombre d'outils qui vous aideront si votre ordinateur ne fonctionne pas de la manière escomptée. Pour plus d'informations sur l'utilisation des outils d'aide, consultez le *Guide d'utilisation*.

Si vous avez un problème d'ordinateur et que vous ne parvenez pas à accéder au *Guide d'utilisation* en ligne, utilisez les Diagnostics Dell pour déterminer l'origine du problème et trouver la solution. Vous trouverez les Diagnostics Dell sur le CD *Drivers and Utilities (Pilotes et utilitaires)* fourni avec l'ordinateur.

 **REMARQUE :** Exécutez les diagnostics avant de contacter le service de support technique de Dell car les tests fournissent des informations qui peuvent vous être utiles en cas d'appel.

 **REMARQUE :** Consignez la séquence d'initialisation en cours au cas où vous souhaitez la restaurer après l'exécution des Diagnostics Dell.

Pour lancer les diagnostics, procédez comme suit :

- 1 Éteignez l'ordinateur.
- 2 Assurez-vous que l'ordinateur est raccordé à une prise électrique.
- 3 Allumez l'ordinateur après avoir inséré le CD *Pilotes et utilitaires* dans le lecteur de CD, de CD-RW ou de DVD.
- 4 Dès que vous voyez le logo Dell s'afficher et avant que le logo Microsoft® Windows® ne s'affiche, appuyez sur  pour entrer dans le programme de configuration du système.
- 5 Appuyez sur la flèche vers la droite pour passer à l'écran **Boot (Initialisation)** et notez le nom du premier périphérique de la liste de séquence d'initialisation.
- 6 Utilisez les touches directionnelles haut ou bas pour mettre en surbrillance **CD-ROM Drive (lecteur de CD-ROM)** puis la touche  pour le placer en tête de la liste de séquence d'initialisation.

- 7 Appuyez sur  et sélectionnez **Yes (Oui)** pour enregistrer vos modifications, quitter le programme de configuration du système et redémarrer l'ordinateur pour amorcer le système à partir du CD.

L'ordinateur démarre et exécute automatiquement les Diagnostics Dell.

L'écran du logo Dell apparaît, suivi d'un message vous informant que les diagnostics sont en cours de chargement. Une fois les diagnostics chargés, le **menu des diagnostics** apparaît.

Pour sélectionner une option dans ce menu, mettez-la en surbrillance et appuyez sur  ou appuyez sur la touche correspondant à la lettre en surbrillance de l'option souhaitée.

- 8 Une fois les diagnostics terminés, retirez le CD *Pilotes et utilitaires*.
- 9 Lorsque l'ordinateur redémarre, appuyez sur  dès que le logo Dell apparaît à l'écran et avant que celui de Microsoft Windows ne s'affiche.
- 10 Dans le programme de configuration du système, appuyez sur la flèche vers la droite pour passer à l'écran **Initialisation**.
- 11 Modifiez la séquence d'initialisation de sorte que le périphérique indiqué à étape 5 s'initialise en premier.
- 12 Appuyez sur  et sélectionnez **Oui** pour enregistrer vos modifications, quitter le programme de configuration du système et redémarrer Microsoft Windows.

## Réglementations

Une interférence électromagnétique (EMI, Electromagnetic Interference) est un signal ou une émission, véhiculé(e) dans l'espace libre ou par des conducteurs électriques ou de signaux, qui peut mettre en danger le fonctionnement d'une radionavigation ou autre service de sécurité ou sérieusement dégrader, obstruer ou interrompre à maintes reprises un service de communications radio autorisé. Les services de communications radio incluent, de manière non limitative, les services de radiodiffusion commerciale AM/FM, la télévision, les services de téléphonie cellulaire, la radiodétection, le contrôle de la circulation aérienne, les récepteurs de radiomessagerie et les systèmes GSM. Ces services autorisés, ainsi que les éléments rayonnants parasites involontaires tels que les dispositifs numériques, y compris les ordinateurs, contribuent à l'environnement électromagnétique.

La compatibilité électromagnétique (CEM) est la capacité des éléments d'un équipement électronique à interagir correctement dans l'environnement électronique. Bien que cet ordinateur ait été conçu dans le respect de cette compatibilité et soit conforme aux seuils fixés en matière d'interférences électromagnétiques par l'organisme de réglementation, il n'y a aucune garantie concernant les interférences susceptibles de se produire sur une installation particulière. Si l'équipement crée effectivement des interférences avec des services de communications radio (ce qui peut être déterminé en l'éteignant et en l'allumant), l'utilisateur est encouragé à essayer de corriger ce phénomène en prenant l'une ou l'ensemble des mesures suivantes :

- Changer l'orientation de l'antenne de réception.
- Repositionner l'ordinateur en fonction du récepteur.
- Éloigner l'ordinateur du récepteur.
- Brancher l'ordinateur sur une autre prise, pour faire en sorte que l'ordinateur et le récepteur se trouvent sur différents circuits de dérivation.

Si nécessaire, consultez un membre de l'équipe du support technique de Dell ou un technicien radio/télévision expérimenté pour des suggestions supplémentaires.

Les ordinateurs Dell sont conçus, testés et classés pour l'environnement électromagnétique dans lequel il est prévu de les utiliser. Ces classifications font généralement référence aux définitions harmonisées suivantes :

- Classe A : environnements professionnels ou industriels.
- Classe B : environnements résidentiels.

Les équipements informatiques, y compris les périphériques, cartes d'extension, imprimantes, périphériques d'entrée/sortie (E/S), moniteurs, etc., qui sont intégrés ou connectés à l'ordinateur doivent appartenir à la même classification CEM que l'ordinateur.

**Remarque sur les câbles de signal blindés : N'utilisez que des câbles blindés pour connecter les périphériques aux dispositifs Dell, afin de réduire la possibilité d'interférence avec les services de communications radio. L'utilisation de câbles blindés permet de rester dans la classification CEM pour l'environnement prévu. Dell propose un câble pour les imprimantes utilisant le port parallèle. Si vous le souhaitez, vous pouvez commander un câble sur le World Wide Web, à l'adresse suivante : [accessories.us.dell.com/sna/segmenter/asp](http://accessories.us.dell.com/sna/segmenter/asp).**

La plupart des ordinateurs Dell sont répertoriés pour les environnements de classe B. Cependant, l'inclusion de certaines options peut provoquer le passage de certaines configurations en classe A. Pour déterminer la classe s'appliquant à votre ordinateur ou périphérique, consultez les sections suivantes, propres à chaque organisme de réglementation. Chaque section propose, de façon spécifique pour tel(le) pays ou zone géographique, des informations CEM/EMI ou relatives à la sécurité des produits.



## Enlèvement de la batterie

Votre ordinateur utilise une batterie au lithium-ion et une pile bouton à l'hydrure d'alliage de nickel (NiMH). Pour obtenir des instructions sur le remplacement de la batterie au lithium-ion de votre ordinateur, consultez « Retrait d'une batterie » et « Installation d'une batterie » dans le *Guide d'information sur le système*. La batterie NiMH est une batterie longue durée et il est fort probable que vous n'ayez jamais besoin de la remplacer. Si, toutefois, vous deviez la remplacer, adressez-vous à un technicien de maintenance autorisée, qui est le seul habilité à effectuer cette opération.

Ne jetez pas la batterie avec les ordures ménagères. Contactez le service municipal de traitement des déchets pour connaître l'adresse du site de dépôt de batteries le plus proche de votre domicile.

Dell™ Latitude™ X200

# Systeminformationshandbuch



# Hinweise, Vorsichtshinweise und Warnungen

 **HINWEIS:** Ein HINWEIS macht auf wichtige Informationen aufmerksam, mit denen Sie das System besser einsetzen können.

 **VORSICHT:** VORSICHT warnt vor möglichen Beschädigungen der Hardware oder vor Datenverlust und zeigt, wie diese vermieden werden können.

 **WARNUNG:** Eine **WARNUNG** weist auf Gefahrenquellen hin, die materielle Schäden, Verletzungen oder sogar den Tod von Personen zur Folge haben können.

## Abkürzungen und Akronyme

Eine vollständige Liste von Abkürzungen und Akronymen finden Sie im *Benutzerhandbuch*. (Je nach Betriebssystem doppelklicken Sie auf dem Desktop auf das Symbol **User's Guide** [Benutzerhandbuch], oder klicken Sie auf die Schaltfläche **Start**, anschließend auf Hilfe- und Supportcenter. Klicken Sie auf **User and system guides** [Benutzer- und Systemhandbücher]).

---

Irrtümer und technische Änderungen vorbehalten.  
© 2002 Dell Computer Corporation. Alle Rechte vorbehalten.

Nachdrucke jeglicher Art ohne die vorherige schriftliche Genehmigung der Dell Computer Corporation sind strengstens untersagt.

Marken in diesem Text: *Dell*, das *DELL*-Logo, *Latitude*, *TrueMobile* und *AccessDirect* sind Marken der Dell Computer Corporation; *Microsoft* und *Windows* sind eingetragene Marken der Microsoft Corporation.

Alle anderen in dieser Dokumentation genannten Marken und Handelsbezeichnungen sind Eigentum der entsprechenden Hersteller und Firmen. Die Dell Computer Corporation verzichtet auf alle Besitzrechte an Marken und Handelsbezeichnungen, die nicht ihr Eigentum sind.

# Inhalt

<b>Sicherheitshinweise und EMV-Richtlinien:</b>	
<b>Tragbare Computer</b> . . . . .	<b>89</b>
Warnung: Sicherheitshinweise . . . . .	89
EMV-Richtlinien . . . . .	94
Arbeiten mit dem Computer . . . . .	94
Ergonomische Haltung beim Arbeiten mit dem Computer . . . . .	96
Entfernen und Installieren eines Speichermoduls . . . . .	97
Schutz vor elektrostatischen Entladungen . . . . .	98
<b>Informationsquellen und Unterstützung</b> . . . . .	<b>99</b>
<b>Einrichten des Computers</b> . . . . .	<b>102</b>
<b>Informationen über den Computer</b> . . . . .	<b>104</b>
Vorderseite . . . . .	104
Linke Seitenansicht . . . . .	105
Rechte Seitenansicht . . . . .	106
Rückseite . . . . .	106
Unterseite . . . . .	107
<b>Entfernen eines Akkus</b> . . . . .	<b>108</b>
<b>Einsetzen eines Akkus</b> . . . . .	<b>109</b>
<b>Verwenden des Dell-Diagnoseprogramms</b> . . . . .	<b>109</b>
<b>Betriebsbestimmungen</b> . . . . .	<b>111</b>
Entsorgen von Akkus . . . . .	112



# Sicherheitshinweise und EMV-Richtlinien: Tragbare Computer

Im Folgenden wird die Bedeutung der *zusätzlichen* Symbole erklärt, die *nur* in den Sicherheitshinweisen und EMV-Richtlinien (Elektromagnetische Verträglichkeit) verwendet werden.



Explosionsgefahr



Flugzeug



Brandgefahr



Die Verwendung dieser Funktion ist möglicherweise in Flugzeugen nicht gestattet.



Stromschlaggefahr



## Warnung: Sicherheitshinweise

### Allgemein

- Wartungsarbeiten dürfen nur von qualifizierten Servicetechnikern vorgenommen werden. Beachten Sie alle Installationsanweisungen stets genau.
- Wenn Sie ein Verlängerungskabel an den Netzadapter anschließen, stellen Sie sicher, dass der Nennstrom aller an das Verlängerungskabel angeschlossenen Geräte nicht größer ist als der zulässige Nennstrom des Verlängerungskabels.
- Schieben Sie keine Gegenstände in die Lüftungsschlitze oder Öffnungen des Computers. Dies kann zu einem Kurzschluss der internen Komponenten führen und folglich einen Brand oder einen Stromschlag verursachen.





- Wenn der Netzadapter für die Stromversorgung des Computers oder zum Aufladen des Akkus verwendet wird, sollte er sich in einem gut belüfteten Bereich befinden, z. B. auf einer Schreibtischoberfläche oder auf dem Boden. Achten Sie darauf, dass auf dem Netzadapter weder Papier noch Gegenstände liegen, die die Kühlung beeinträchtigen. Verwenden Sie den Netzadapter auch nicht in einer Tragetasche.
- Legen Sie den tragbaren Computer zum Arbeiten nicht über längere Zeit unmittelbar auf Ihren Beinen ab. Während des normalen Betriebs erhitzt sich die Computerunterseite (vor allem bei Betrieb mit Netzstrom). Ein anhaltender Hautkontakt kann unangenehm werden oder sogar zu Verbrennungen führen.



- Verwenden Sie den Computer nicht in einer feuchten Umgebung, z. B. in der Nähe einer Badewanne, eines Waschbeckens, eines Schwimmbeckens oder in einem feuchten Keller.



- Wenn Ihr Computer mit einem integrierten oder optionalen (PC-Karten-)Modem ausgestattet ist, ziehen Sie das Modemkabel bei Herannahen eines Gewitters ab, um die Gefahr eines Blitzeinschlages über die Telefonleitung zu vermeiden.



- Um das Risiko eines Stromschlages zu vermeiden, sollten Sie bei einem Gewitter weder Kabel anschließen oder abziehen noch eine Wartung oder Neukonfiguration des Gerätes vornehmen. Verwenden Sie den Computer nicht während eines Gewitters, es sei denn, der Computer wird mit Akkustrom versorgt und ist nicht an das Stromnetz angeschlossen.
- Wenn Ihr Computer mit einem Modem ausgestattet ist, sollte das für das Modem verwendete Kabel mindestens einen AWG-Wert von 26 (American Wire Gauge [Amerikanisches Eichmaß für Kabel]) sowie einen FCC-konformen, modularen RJ-11-Stecker aufweisen.
- PC-Karten können während des Normalbetriebs sehr warm werden. Gehen Sie vorsichtig vor, wenn Sie PC-Karten nach längerem Betrieb entfernen.

- 
- Trennen Sie den Computer vom Stromnetz, bevor Sie ihn reinigen. Reinigen Sie den Computer mit einem weichen Tuch, das mit Wasser befeuchtet wurde. Verwenden Sie keine flüssigen Reinigungsmittel oder Sprühreiniger, die eventuell entflammbare Stoffe enthalten.



**Warnung: Stromversorgung (Sicherheitshinweise, *Fortsetzung*)**



- Verwenden Sie nur den von Dell gelieferten Netzadapter, der für diesen Computer zugelassen ist. Andernfalls besteht Brand- oder Explosionsgefahr.
- Stellen Sie vor dem Anschluss des Computers an eine Steckdose sicher, dass die Betriebsspannung des Netzadapters mit der Nennspannung und Frequenz der verfügbaren Stromquelle übereinstimmt.
- Um den Computer von der Stromversorgung zu trennen, schalten Sie ihn aus, entfernen den Akku und trennen den Netzadapter von der Steckdose.



- Um Stromschläge zu vermeiden, sollten Sie die Netzkabel des Netzadapters und der Peripheriegeräte stets an ordnungsgemäß geerdete Stromquellen anschließen. Die Kabel sollten mit Schukosteckern ausgestattet sein, um eine einwandfreie Erdung zu gewährleisten. Verwenden Sie keine Adapterstecker. Entfernen Sie den Massekontakt des Netzkabels nicht. Verwenden Sie bei Bedarf nur geeignete Verlängerungskabel mit Schukosteckern, die zum Netzadapterkabel passen.
- Stellen Sie sicher, dass nichts auf dem Netzkabel des Netzadapters abgelegt wird und man weder auf das Kabel treten noch darüber stolpern kann.



- Gehen Sie beim Anschließen des Netzadapterkabels an eine Steckerleiste vorsichtig vor. In einige Steckerleisten können Stecker auch falsch eingesteckt werden. Dadurch könnte der Computer irreparabel beschädigt werden. Außerdem besteht Stromschlag- sowie Brandgefahr. Stellen Sie sicher, dass der Erdungskontakt am Netzstecker in den entsprechenden Kontakt der Steckerleiste eingesetzt ist.



### **Warnung: Akku (Sicherheitshinweise, *Fortsetzung*)**



- Verwenden Sie nur von Dell gelieferte Akkus, die für diesen Computer zugelassen sind. Bei Verwendung anderer Akkus besteht Brand- oder Explosionsgefahr.



- Transportieren Sie den Akku nicht in Ihrer Tasche, Aktentasche oder einem anderen Behälter, in dem dort befindliche Gegenstände aus Metall (beispielsweise Autoschlüssel oder Büroklammern) die Klemmen des Akkus kurzschließen könnten. Der starke Stromfluss kann äußerst hohe Temperaturen und somit Beschädigungen am Akku sowie einen Brand verursachen.
- Bei unsachgemäßer Handhabung des Akkus besteht Brandgefahr. Nehmen Sie den Akku nicht auseinander. Behandeln Sie beschädigte oder auslaufende Akkus mit äußerster Vorsicht. Ist der Akku beschädigt, kann Elektrolyt aus den Zellen austreten und zu Verletzungen führen.
- Bewahren Sie den Akku außerhalb der Reichweite von Kindern auf.



- Bewahren Sie den Computer oder Akku nicht in der Nähe einer Wärmequelle auf, z. B. einer Heizung, einem Kamin, einem Heizlüfter oder ähnlichen Geräten, oder setzen Sie ihn nicht Temperaturen von über 60 °C aus. Bei übermäßiger Erhitzung besteht Explosions- und Brandgefahr.



- Entsorgen Sie den Akku des Computers nicht in Feuer oder im Haushaltsmüll. Akkus können explodieren. Entsorgen Sie verbrauchte Akkus gemäß den Anweisungen des Herstellers, oder wenden Sie sich an Ihren örtlichen Abfallentsorgungsbetrieb, und fragen Sie nach Informationen zur umweltgerechten Entsorgung. Entsorgen Sie verbrauchte oder beschädigte Akkus umgehend.



**Warnung: Flugreisen (Sicherheitshinweise, *Fortsetzung*)**



- Für den Betrieb von Dell™-Computern an Bord eines Flugzeugs gelten bestimmte gesetzliche Bestimmungen und/oder von der Fluglinie festgelegte Richtlinien. Gemäß solchen Richtlinien ist die Verwendung eines elektronischen Gerätes, das Funkwellen oder andere elektromagnetische Signale aussenden kann, unter Umständen in einem Flugzeug verboten.



- Um solche Bestimmungen nach bestem Ermessen einzuhalten, deaktivieren Sie bitte Ihr TrueMobile™-Gerät von Dell oder ein anderes Gerät zur Übertragung von Daten per Funk, wenn Ihr tragbarer Computer von Dell damit ausgestattet ist, bevor Sie in das Flugzeug steigen. Befolgen Sie außerdem die Anweisungen des Flugpersonals.



- Darüber hinaus ist die Verwendung von elektronischen Geräten, beispielsweise von tragbaren Computern, in kritischen Flugphasen (wie Start und Landung) möglicherweise nicht gestattet. Einige Fluglinien definieren den Begriff „kritische Flugphase“ noch enger, und zwar als jeden Zeitpunkt, zu dem sich das Flugzeug in einer Höhe von unter 3050 Metern befindet. Befolgen Sie die Richtlinien der Fluglinien in Bezug auf die Verwendung elektronischer Geräte.

## EMV-Richtlinien

- Durch abgeschirmte Kabel wird sichergestellt, dass die entsprechende EMV-Klassifikation für die vorgesehene Einsatzumgebung eingehalten wird. Ein Kabel für Drucker, die über die parallele Schnittstelle angeschlossen werden, erhalten Sie bei Dell. Sie können ein solches Kabel auch über die Website von Dell unter der Adresse [www.dell.com](http://www.dell.com) bestellen
- Elektrostatische Entladungen können die elektronischen Bauteile des Computers beschädigen. Um Beschädigungen durch elektrostatische Entladungen zu vermeiden, sollten Sie die statische Elektrizität Ihres Körpers entladen, bevor Sie elektronische Bauteile (z. B. ein Speichermodul) des Computers berühren. Berühren Sie dazu eine nicht lackierte Metallfläche an der E/A-Leiste des Computers.

## Arbeiten mit dem Computer

Beachten Sie die folgenden Sicherheitshinweise, um Schäden am Computer zu vermeiden.

- Wenn Sie den Computer zum Arbeiten aufstellen, platzieren Sie ihn auf einer ebenen Fläche.
- Geben Sie den Computer auf Reisen nicht als Gepäckstück auf. Sie können den Computer röntgen lassen; Sie dürfen ihn jedoch niemals durch einen Metalldetektor laufen lassen. Wenn Sie den Computer manuell überprüfen lassen, halten Sie einen geladenen Akku bereit, falls Sie aufgefordert werden, den Computer einzuschalten.
- Wenn Sie das Festplattenlaufwerk beim Reisen aus dem Computer ausbauen, wickeln Sie es in ein nicht leitendes Material, z. B. Stoff oder Papier. Wenn Sie das Laufwerk manuell überprüfen lassen, sollten Sie darauf vorbereitet sein, es in den Computer einbauen zu müssen. Sie können das Festplattenlaufwerk röntgen lassen; Sie dürfen es jedoch niemals durch einen Metalldetektor laufen lassen.
- Legen Sie den Computer während der Reise nicht in ein Gepäckfach über dem Sitz, wo er umherrutschen könnte. Lassen Sie den Computer nicht fallen, und setzen Sie ihn keinen anderen mechanischen Erschütterungen aus.
- Schützen Sie Computer, Akku und Festplattenlaufwerk vor Schmutz, Staub, Lebensmitteln, Flüssigkeiten, extremen Temperaturen und übermäßiger Sonneneinstrahlung.

- Wenn Sie Ihren Computer in eine Umgebung mit völlig unterschiedlicher Temperatur und/oder Luftfeuchtigkeit bringen, kann sich auf oder im Computer Kondenswasser bilden. Um eine Beschädigung des Computers zu vermeiden, sollten Sie genügend Zeit verstreichen lassen, damit die Feuchtigkeit verdunsten kann, bevor Sie den Computer benutzen.



**VORSICHT:** Wenn Sie den Computer aus einer kälteren in eine wärmere Umgebung bringen oder umgekehrt, sollten Sie mit dem Einschalten warten, bis sich der Computer an die Raumtemperatur angepasst hat.

- Ziehen Sie beim Trennen eines Kabels vom Gerät nur am Stecker oder an der Zugentlastung und nicht am Kabel selbst. Ziehen Sie den Stecker möglichst geradlinig aus der Steckdose heraus, damit die Kontaktstifte nicht verbogen werden. Vor dem Anschließen eines Kabels sollten Sie sicherstellen, dass der Stecker korrekt ausgerichtet ist und nicht verkantet aufgesetzt wird.
- Behandeln Sie die Komponenten sorgsam. Halten Sie Bauteile wie Speichermodule an den Kanten und nicht an den Kontaktstiften.
- Wenn Sie ein Speichermodul von der Systemplatine entfernen möchten, warten Sie nach dem Ausschalten und Entfernen des Netzadapterkabels des Computers mindestens fünf Sekunden, um Beschädigungen der Systemplatine zu vermeiden.
- Reinigen Sie den integrierten Bildschirm mit einem weichen, sauberen Tuch und handelsüblichem Glasreiniger, der weder Wachs noch Scheuermittel enthält. Geben Sie das Reinigungsmittel auf das Tuch, und wischen Sie gleichmäßig in eine Richtung von oben nach unten über den Bildschirm. Ist der Bildschirm verschmiert oder anderweitig verunreinigt, sollten Sie Reinigungsalkohol statt Glasreiniger verwenden.
- Falls der Computer nass oder beschädigt wurde, führen Sie die im *Benutzerhandbuch* unter „Problemlösung“ beschriebenen Schritte aus. Wenn Sie nach Durchführung dieser Maßnahmen feststellen, dass der Computer noch immer nicht einwandfrei arbeitet, wenden Sie sich an Dell. (Die entsprechende Telefonnummer finden Sie im Kapitel „Weitere Hilfe“ des *Benutzerhandbuchs*.)

## Ergonomische Haltung beim Arbeiten mit dem Computer

 **WARNUNG: Falsches oder länger andauerndes Arbeiten mit der Tastatur kann gesundheitsschädlich sein.**

 **WARNUNG: Länger andauerndes Arbeiten am integrierten oder externen Bildschirm kann die Augen belasten.**

Um ein angenehmes und effizientes Arbeiten zu gewährleisten, beachten Sie beim Aufstellen und Verwenden des Computers die folgenden ergonomischen Richtlinien:

- Es handelt sich hierbei um einen tragbaren Computer, der nicht für den länger andauernden Gebrauch im Büro bestimmt ist. Für länger andauernden Gebrauch in einem Büro wird der Einsatz eines externen Monitors und einer externen Tastatur empfohlen.
- Stellen Sie den Computer so auf, dass Sie direkt vor dem Bildschirm und der Tastatur sitzen.
- Passen Sie den Neigungswinkel des Bildschirms sowie Kontrast, Helligkeit und Lichtquellen (beispielsweise Decken- und Tischlampen sowie Fenster mit Vorhängen oder Jalousien) so an, dass eventuell auftretende Reflexionen am Bildschirm auf ein Minimum reduziert werden.
- Wenn Sie an Ihren Computer einen externen Monitor anschließen, stellen Sie den Monitor in einem angenehmen Abstand (in der Regel 50 bis 60 Zentimeter) auf. Der Bildschirm sollte sich in Augenhöhe (oder etwas tiefer) befinden, wenn Sie davor sitzen.
- Verwenden Sie einen Stuhl mit guter Rückenstütze.
- Achten Sie darauf, dass die Unterarme horizontal liegen und Sie die Handgelenke nicht verdrehen müssen, während Sie mit Tastatur, Touch-Pad, Trackstick oder der externen Maus arbeiten.
- Verwenden Sie beim Arbeiten mit der Tastatur, dem Touch-Pad oder Trackstick stets die Auflage für die Handgelenke. Beim Arbeiten mit einer externen Maus muss genügend Platz zum Abstützen der Hände vorhanden sein.
- Lassen Sie die Oberarme entspannt herabhängen.

- Sitzen Sie aufrecht. Die Füße sollen dabei auf dem Boden stehen, so dass sich die Oberschenkel in einer waagerechten Position befinden.
- Beim Sitzen sollte das Gewicht der Beine auf den Füßen ruhen, nicht auf der Vorderkante des Stuhls. Passen Sie hierzu die Höhe Ihres Stuhls an, oder verwenden Sie gegebenenfalls eine Fußbank, damit Sie die richtige Haltung einnehmen können.
- Bringen Sie Abwechslung in Ihren Arbeitsablauf. Versuchen Sie, Ihre Arbeit so zu organisieren, dass Sie nicht über eine lange Zeit hinweg tippen müssen. Wenn Sie mit dem Tippen aufhören, gehen Sie zu Tätigkeiten über, bei denen Sie beide Hände gebrauchen müssen.

## Entfernen und Installieren eines Speichermoduls

Führen Sie vor dem Entfernen oder Installieren eines Speichermoduls folgende Schritte in der angegebenen Reihenfolge aus.

- ➔ **VORSICHT:** Nur bei der Installation eines Speichermoduls oder einer Mini-PCI-Karte dürfte es erforderlich werden, im Inneren des Computers zu arbeiten.
  - ➔ **VORSICHT:** Um eine mögliche Beschädigung der Systemplatine zu vermeiden, warten Sie nach dem Ausschalten des Computers fünf Sekunden, bevor Sie ein Peripheriegerät vom Computer trennen oder ein Speichermodul entfernen.
- 1 Den Computer und alle angeschlossenen Peripheriegeräte ausschalten.
  - 2 Den Computer und die Peripheriegeräte vom Netz trennen. So wird die Gefahr von Verletzungen oder elektrischen Schlägen verringert. Außerdem alle Telefon- und Datenübertragungskabel vom System trennen.
  - 3 Den Akku aus dem Akkufach entfernen.
  - 4 Sich durch Berühren einer nicht lackierten Metallfläche an der E/A-Leiste auf der Rückseite des Computers erden.

Während der Arbeit von Zeit zu Zeit die E/A-Leiste berühren, um statische Elektrizität abzuleiten, die Bauteile beschädigen kann.

## Schutz vor elektrostatischen Entladungen

Elektrostatische Entladungen können die elektronischen Bauteile des Computers beschädigen. Um Beschädigungen durch elektrostatische Entladungen zu vermeiden, sollten Sie die statische Elektrizität Ihres Körpers entladen, bevor Sie elektronische Bauteile (z. B. ein Speichermodul) des Computers berühren. Berühren Sie dazu eine nicht lackierte Metallfläche an der E/A-Leiste des Computers.

Berühren Sie während der Arbeit am Computer von Zeit zu Zeit einen E/A-Anschluss, um die statische Elektrizität abzuleiten, die sich in Ihrem Körper aufgebaut hat.

Beachten Sie auch folgende Hinweise, um Beschädigungen durch elektrostatische Entladung (ESE) zu vermeiden:

- Entfernen Sie beim Auspacken einer elektrostatisch empfindlichen Komponente aus dem Versandkarton erst dann ihre antistatische Verpackung, wenn Sie die Komponente installieren möchten. Vergewissern Sie sich, dass die in Ihrem Körper aufgebaute statische Elektrizität abgeleitet wurde, bevor Sie die antistatische Verpackung der Komponente entfernen.
- Verwenden Sie für den Transport einer elektrostatisch empfindlichen Komponente einen antistatischen Behälter oder eine antistatische Verpackung.
- Arbeiten Sie mit allen empfindlichen Komponenten in einer elektrostatisch unbedenklichen Umgebung. Verwenden Sie nach Möglichkeit antistatische Fußmatten und Schreibtischauflagen.

Der folgende Hinweis kann in der Dokumentation von Dell wiederholt auftauchen, um Sie an diese Vorsichtsmaßnahmen zu erinnern:



**VORSICHT:** Weitere Informationen finden Sie unter „Schutz vor elektrostatischen Entladungen“ im *Systeminformationshandbuch*.

# Informationsquellen und Unterstützung

Die folgende Tabelle enthält Informationsquellen und Hilfsprogramme, die von Dell zu Ihrer Unterstützung bereit gestellt werden. Weiteres Informations- und Dokumentationsmaterial ist möglicherweise im Lieferumfang des Computers enthalten.

## Informationen und Hilfe

Ressource	Inhalt	Verwenden der Ressource
 <p>Benutzerhandbücher</p>	<p>Benutzerhandbücher des Computers und der Geräte</p>	<p>Doppelklicken Sie, je nach Betriebssystem, auf das Symbol <b>User's Guides (Benutzerhandbücher)</b> auf dem Desktop, oder klicken Sie auf die Schaltfläche <b>Start</b>, und wählen Sie <b>Hilfe und Unterstützung</b>, um auf die auf der Festplatte gespeicherte Dokumentation zuzugreifen.</p> <p>In den Benutzerhandbüchern finden Sie Informationen zu folgenden Themen:</p> <ul style="list-style-type: none"> <li>• Arbeiten mit dem Computer</li> <li>• Konfigurieren der Systemeinstellungen</li> <li>• Entfernen und Installieren von Komponenten</li> <li>• Installieren und Konfigurieren von Software</li> <li>• Erkennen und Lösen von Computerproblemen</li> <li>• Technische Daten</li> <li>• Technische Unterstützung</li> </ul>
	<p><i>Drivers and Utilities</i>-CD</p> <ul style="list-style-type: none"> <li>• Dell-Diagnoseprogramm</li> <li>• Treiber</li> <li>• Dienstprogramme</li> <li>• Computer- und Gerätedokumentation</li> </ul>	<p>Wählen Sie im Hauptmenü der mit dem Computer ausgelieferten <i>Drivers and Utilities</i>-CD den gewünschten Befehl. Wählen Sie dann im Listenfeld die für Ihren Computer zutreffenden Optionen bzw. Merkmale.</p> <p>Dokumentation und Treiber wurden von Dell vor der Auslieferung bereits auf dem Computer vorinstalliert. Verwenden Sie diese CD, um auf die Dokumentation zuzugreifen, Treiber neu zu installieren oder Diagnoseprogramme auszuführen.</p> <p>Weitere Informationen finden Sie im <i>Benutzerhandbuch</i> des Computers.</p>

**Ressource**

WWW.DELL.COM  
Service Tag: XXXXX  
Express Service Code: XX-XXX-XX

**Inhalt**

Service- und Registrierungsetiketten

- Expressdienst-Codenummer und Service-Kennnummer
- Produktschlüssel (wird auch als Produkt-ID oder „Certificate of Authenticity“ [COA] bezeichnet)

**Verwenden der Ressource**

Die Expressdienst-Codenummer und die Service-Kennnummer dienen der eindeutigen Kennzeichnung des Dell™-Computers.

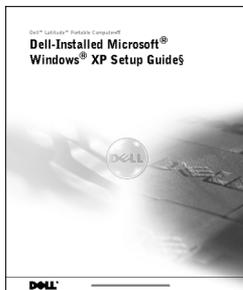
Sie benötigen den Produktschlüssel (oder die Produkt-ID), um das Betriebssystem-Setup abzuschließen.

**Betriebssystem-CD**

Verwenden Sie die zusammen mit Ihrem Computer ausgelieferte *Betriebssystem-CD*, um das Betriebssystem neu zu installieren.

**HINWEIS:** Auf der *Betriebssystem-CD* sind möglicherweise nicht die neuesten Treiber für Ihren Computer enthalten. Wenn Sie das Betriebssystem neu installieren, verwenden Sie die *Drivers and Utilities-CD*, um die Treiber für die mit dem Computer ausgelieferten Geräte zu installieren.

Weitere Informationen zur Installation des Betriebssystems finden Sie im von Dell installierten Microsoft® Windows® *Installationshandbuch*, das mit Ihrem Computer geliefert wurde.

**Von Dell installiertes Windows *Installationshandbuch***

Weitere Informationen zur Installation und Konfiguration des Betriebssystems finden Sie im *Installationshandbuch*.

**HINWEIS:** Klicken Sie auf die Schaltfläche **Start** und dann, je nach verwendetem Betriebssystem, auf **Hilfe** oder **Hilfe und Support**, wenn Sie Informationen zu Ihrem Betriebssystem benötigen.

Ressource	Inhalt	Verwenden der Ressource
<b>support.dell.com</b>	Dell   Support-Website <ul style="list-style-type: none"> <li>• Häufig gestellte Fragen</li> <li>• Downloads</li> <li>• Dokumentation</li> <li>• Online-Gesprächsforen zum Computer</li> <li>• Für Benutzer verfügbare Datenbank</li> </ul>	Rufen Sie die Website <a href="http://support.dell.com">support.dell.com</a> auf, und füllen Sie das Registrierungsformular aus (nur beim ersten Mal). Auf der Support-Website stehen Ihnen folgende Optionen zur Verfügung: <ul style="list-style-type: none"> <li>• <i>Benutzerhandbuch</i> des Computers</li> <li>• Unterstützung bei der allgemeinen Verwendung, der Installation und bei der Fehlerbehebung (Ask Dudley, Dell-Wissensdatenbank)</li> <li>• Zugriff auf Computer- und Gerätedokumentation (Dell Dokumente)</li> <li>• Aktuelle Versionen der Treiber für den Computer (Downloads)</li> <li>• Online-Gesprächsforen mit anderen Dell-Kunden oder Technikern von Dell (Dell Talk)</li> <li>• Online-Links zu den wichtigsten Zulieferern von Dell</li> </ul>
<b>Premier Support.Dell.com</b>	Dell Premier Support-Website <ul style="list-style-type: none"> <li>• Status der Service-Anfrage</li> <li>• Nach Produkten geordnete aktuelle technische Informationen</li> <li>• Nach Produktnummern geordnete häufig gestellte Fragen</li> <li>• Individuelle Service-Kennnummern</li> <li>• Detaillierte Informationen zur Systemkonfiguration</li> </ul>	Rufen Sie die Website <a href="http://premiersupport.dell.com">premiersupport.dell.com</a> auf. Die Dell Premier Support-Website ist speziell auf Großkunden und Kunden aus den Bereichen öffentlicher Dienst, Regierung/Verwaltung und Bildungswesen zugeschnitten. Dieser Service ist möglicherweise nicht in allen Ländern verfügbar.

## Einrichten des Computers

- 1 Das Zubehör auspacken.
- 2 Die für das Einrichten des Computers erforderlichen Zubehörteile bereitlegen.

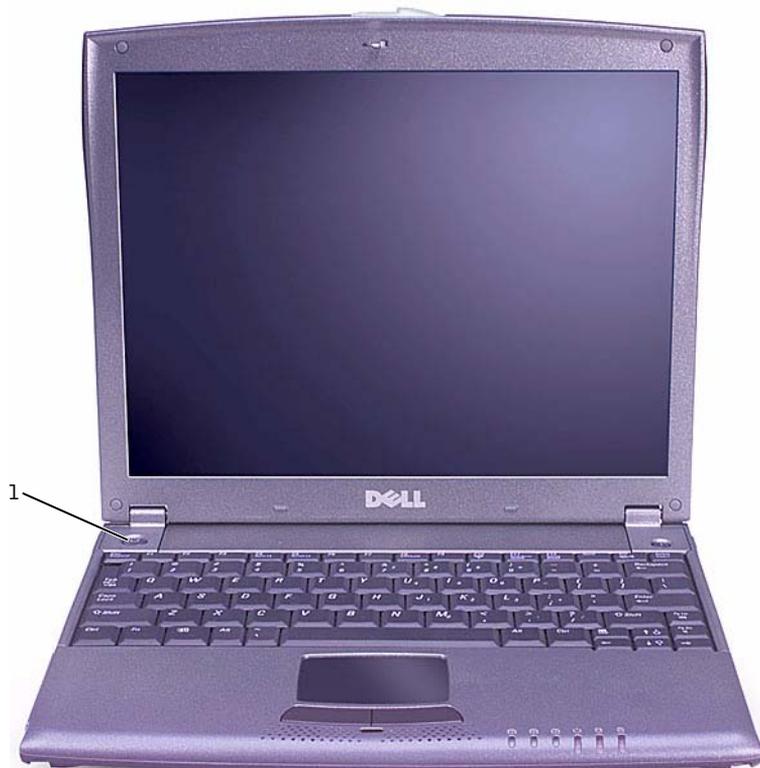
Der Lieferumfang des Zubehörs umfasst ferner die Benutzerdokumentation sowie die Software oder zusätzliche Hardware (z. B. PC-Karten, Laufwerke oder Akkus), die Sie bestellt haben.

- 3 Den Netzadapter an den Netzadapteranschluss des Computers und an die Steckdose anschließen.



- Öffnen Sie den integrierten Bildschirm, und drücken Sie den Netzschalter, um den Computer einzuschalten.

**HINWEIS:** Verbinden Sie den Computer erst mit dem X200 Media Base-Gerät, wenn er mindestens einmal gestartet und heruntergefahren wurde.



---

1 Netzschalter

---

# Informationen über den Computer

## Vorderseite

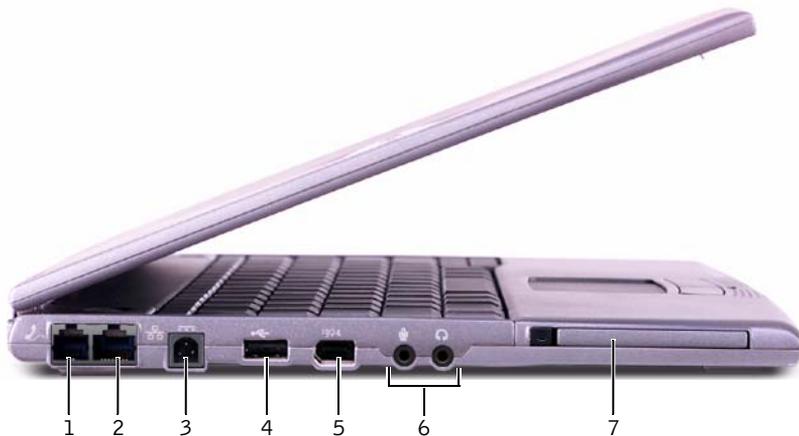
 **WARNUNG:** Achten Sie darauf, die Lüftungsschlitze nicht zu blockieren, schieben Sie keine Gegenstände hinein, und halten Sie die Lüftungsschlitze staubfrei. Andernfalls können Schäden am Computer oder sogar ein Brand verursacht werden.



1	Bildschirmverriegelung	6	Tastaturstatusanzeigen
2	Bildschirm	7	Touch-Pad-Tasten (2)
3	Dell™ AccessDirect™-Taste	8	Lautsprecher (2)
4	Tastatur	9	Touch-Pad
5	Gerätestatusanzeigen	10	Netzschalter

## Linke Seitenansicht

**➡ VORSICHT:** Um Schäden am Computer zu vermeiden, sollten Sie nach dem Ausschalten des Computers fünf Sekunden warten, bevor Sie ein externes Gerät davon trennen.



1	Modemanschluss	5	1394-Anschluss
2	Netzwerkanschluss	6	Audioanschlüsse
3	Netzadapteranschluss	7	PC-Kartensteckplatz
4	USB-Anschluss		

## Rechte Seitenansicht

**⚠️ WARNUNG:** Achten Sie darauf, die Lüftungsschlitze nicht zu blockieren, schieben Sie keine Gegenstände hinein, und halten Sie die Lüftungsschlitze staubfrei. Andernfalls können Schäden am Computer oder sogar ein Brand verursacht werden.

**➡️ VORSICHT:** Um Schäden am Computer zu vermeiden, sollten Sie nach dem Ausschalten des Computers fünf Sekunden warten, bevor Sie ein externes Gerät davon trennen.



---

1 Lüftungsschlitze

---

2 USB-Anschluss

---

3 Monitoranschluss

---

## Rückseite



---

1 Sicherungskabeleinschub

---

## Unterseite

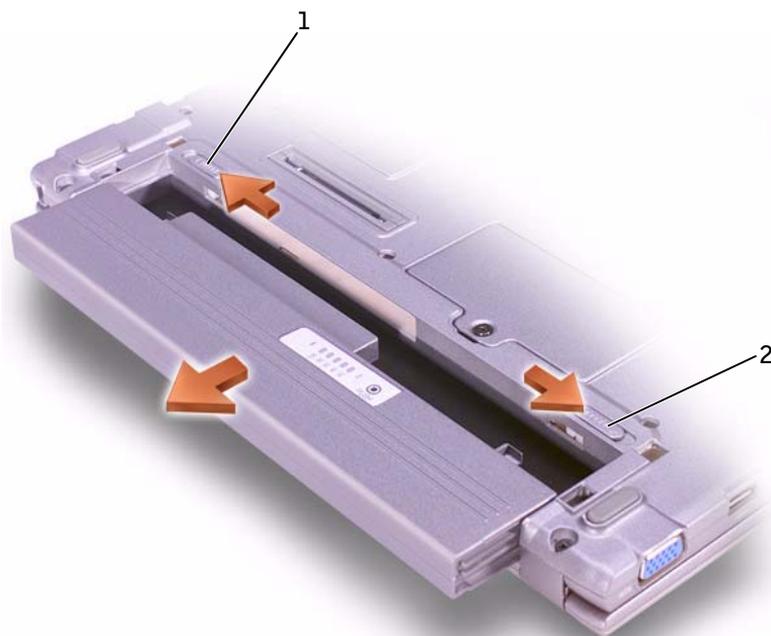


1 Speichermodulabdeckung	5 Akkuerriegelung
2 Akkuanzeige	6 Media Base Docking-Anschluss
3 Akku/Akkufach	7 Abdeckung der Mini-PCI-Karte
4 Akkufreigabeklinke	

## Entfernen eines Akkus

➔ **VORSICHT:** Wenn Sie den Akkuaustausch im Stand-by-Modus durchführen, haben Sie bis zu einer Minute Zeit, um den Austauschvorgang abzuschließen, bevor das System herunterfährt und nicht gesicherte Daten verloren gehen.

- 1 Sicherstellen, dass der Computer ausgeschaltet ist, sich in einem Energieverwaltungsmodus befindet oder mit einer Netzsteckdose verbunden ist.
- 2 Wenn der Computer mit einem Docking-Gerät verbunden ist, die Verbindung trennen.
- 3 Die Akkufachverriegelung an der Unterseite des Computers entriegeln.
- 4 Die Freigabeklinke des Akkufachs an der Unterseite des Computers zur Seite schieben und in dieser Position festhalten, während Sie den Akku aus dem Akkufach herausnehmen.



---

1 Akkuverriegelung

---

2 Akkufreigabeklinke

---

## Einsetzen eines Akkus

- 1 Den Akku in den Schacht einschieben, bis die Freigabeklinke hörbar einrastet.
- 2 Die Akkuverriegelung in Verriegelungsposition schieben.

## Verwenden des Dell-Diagnoseprogramms

Dell stellt eine Reihe von Hilfswerkzeugen zur Verfügung, die Ihnen bei Problemen mit dem Computer weiterhelfen. Weitere Informationen dazu finden Sie im *Benutzerhandbuch*.

Wenn Probleme mit dem Computer auftreten und Sie das Online-*Benutzerhandbuch* nicht öffnen können, können Sie mit Hilfe des Dell-Diagnoseprogramms die Ursache des Problems ermitteln und beseitigen. Das Diagnoseprogramm befindet sich auf der *Drivers and Utilities*-CD, die mit Ihrem Computer geliefert wurde.

So starten Sie das Diagnoseprogramm:

- 1 Den Computer ausschalten.
- 2 Sicherstellen, dass der Computer an eine Steckdose angeschlossen ist.
- 3 Den Computer bei eingelegter *Drivers and Utilities*-CD im CD- oder DVD-/CD-RW-Laufwerk einschalten.
- 4 Sobald das Dell-Logo angezeigt wird, noch vor Einblenden des Microsoft® Windows®-Bildschirms die Taste  drücken, um das System-Setup-Programm aufzurufen.
- 5 Die Nach-Rechts-Taste drücken, um zum Fenster **Boot (Systemstart)** zu wechseln. Das erste Startgerät der Liste notieren.
- 6 Mit Hilfe der Nach-Oben- bzw. Nach-Unten-Taste die Option **CD-ROM Drive (CD-ROM-Laufwerk)** markieren und diese anschließend über die Taste  an erste Stelle in der Liste der Startgeräte verschieben.

 **HINWEIS:** Führen Sie das Diagnoseprogramm aus, bevor Sie sich an den technischen Support wenden, da die Tests nützliche Informationen für den Kundendienst-techniker bereitstellen.

 **HINWEIS:** Notieren Sie sich die aktuelle Startreihenfolge, falls Sie diese nach dem Durchführen des Dell-Diagnoseprogramms wiederherstellen möchten.

- Die Taste  drücken und **Yes (Ja)** auswählen, um die Änderungen zu speichern, das System-Setup-Programm zu verlassen und den Computer von der CD neu zu starten.

Der Computer startet und lädt automatisch das Dell-Diagnoseprogramm.

Das Dell-Logo erscheint auf dem Bildschirm, gefolgt von der Meldung, dass das Diagnoseprogramm geladen wird. Nachdem das Diagnoseprogramm geladen wurde, wird das **Diagnostics Menu (Diagnose-Menü)** angezeigt.

Um eine Option aus diesem Menü auszuwählen, markieren Sie diese Option und drücken dann  oder die Taste auf der Tastatur, die dem in der ausgewählten Option hervorgehobenen Buchstaben entspricht.

- Nachdem das Dell-Diagnoseprogramm abgeschlossen wurde, die *Drivers and Utilities*-CD aus dem Laufwerk nehmen.
- Sobald während des Neustarts das Dell-Logo angezeigt wird, noch vor Einblenden des Microsoft Windows-Bildschirms, die Taste  drücken.
- Im System-Setup-Programm die Nach-Rechts-Taste drücken, um zum Fenster **Systemstart** zu wechseln.
- Das in Schritt 5 notierte ursprüngliche erste Startgerät wiederherstellen.
- Die Taste  drücken und **Ja** auswählen, um die Änderungen zu speichern, das System-Setup-Programm zu verlassen und Microsoft Windows neu zu starten.

# Betriebsbestimmungen

Elektromagnetische Interferenz (EMI) ist ein Signal oder eine Emission, die in den freien Raum abgegeben bzw. entlang von Strom- oder Signalleitungen geleitet wird und den Betrieb der Funknavigation oder anderer Sicherheitsgeräte beeinträchtigt bzw. deren Qualität extrem verschlechtert, behindert oder wiederholt lizenzierte Funkdienste unterbricht. Funkdienste umfassen kommerziellen AM-/FM-Radio- und Fernsehgrundfunk, Funktelefondienste, Radar, Flugsicherung, Anrufmelder und Dienste für personenbezogene Kommunikation (PCS [Personal Communication Services]), sind jedoch nicht nur auf diese beschränkt. Diese lizenzierten Dienste sowie die unbeabsichtigte Abstrahlung durch andere Geräte (z. B. digitale Geräte wie Computeranlagen) tragen zum Aufbau elektromagnetischer Felder bei.

Unter elektromagnetischer Verträglichkeit (EMV) versteht man die Fähigkeit elektronischer Bauteile, in einer elektronischen Umgebung störungsfrei zu funktionieren. Dieses Computersystem wurde zwar so konzipiert, dass die seitens der Behörden festgelegten Grenzwerte für EMI nicht überschritten werden; dennoch kann nicht ausgeschlossen werden, dass bei bestimmten Installationen nicht doch Störungen auftreten. Wenn dieses Gerät die Funkkommunikation durch Interferenzen beeinträchtigt, was durch Ein- und Ausschalten des Gerätes festgestellt werden kann, wird der Benutzer aufgefordert, die Störungen durch eine oder mehrere der folgenden Maßnahmen zu beheben:

- Die Empfangsantenne neu ausrichten.
- Die Position des Computers gegenüber dem Empfänger ändern.
- Den Abstand zwischen Computer und Empfänger vergrößern.
- Den Computer an eine andere Steckdose anschließen, so dass Computer und Empfänger über verschiedene Stromkreise versorgt werden.

Wenden Sie sich gegebenenfalls an einen Mitarbeiter des technischen Supports von Dell oder an einen erfahrenen Radio- und Fernsehtechniker.

Computersysteme von Dell werden für die elektromagnetische Umgebung, in der sie eingesetzt werden sollen, konzipiert, getestet und klassifiziert. Diese elektromagnetischen Klassifikationen beziehen sich im Allgemeinen auf die nachstehenden abgestimmten Definitionen:

- Klasse A ist für gewerbliche und industrielle Umgebungen vorgesehen.
- Klasse B ist für Wohnbereiche vorgesehen.

Geräte der Datenverarbeitung (ITE, Information Technology Equipment), dazu zählen u. a. Erweiterungskarten, Drucker, Ein- und Ausgabegeräte, Bildschirme usw., die in das System integriert oder an den Computer angeschlossen sind, sollten der EMI-Klassifikation des Computersystems entsprechen.

**Hinweis zu abgeschirmten Signalkabeln:** Verwenden Sie für den Anschluss von Geräten an Dell-Geräte ausschließlich abgeschirmte Kabel, um Störungen von Funkdiensten so weit wie möglich zu reduzieren. Durch abgeschirmte Kabel wird sichergestellt, dass die entsprechende EMV-Klassifikation für die vorgesehene Einsatzumgebung eingehalten wird. Ein Kabel für Drucker, die über die parallele Schnittstelle angeschlossen werden, erhalten Sie bei Dell. Sie können ein solches Kabel auch über die Website von Dell unter [accessories.us.dell.com/sna/segmenter/asp](http://accessories.us.dell.com/sna/segmenter/asp) bestellen.

Die meisten Dell-Computer sind für Umgebungen der Klasse B klassifiziert. Werden bestimmte Ausstattungsoptionen hinzugefügt, müssen einige Systeme allerdings möglicherweise der Klasse A zugerechnet werden. Informationen über die elektromagnetische Klassifikation Ihres Computers oder Gerätes finden Sie in den nachfolgenden Abschnitten zu den einzelnen Zulassungsbehörden. Die Abschnitte enthalten länderspezifische Informationen zu EMV/EMI oder zur Produktsicherheit.

## Entsorgen von Akkus



In Ihrem Computer sind ein Lithium-Ionen-Akku sowie eine NiMH-Knopfzellenbatterie eingesetzt. Anleitungen zum Austausch des Lithium-Ionen-Akkus finden Sie im *Systeminformationshandbuch* in den Abschnitten „Entfernen eines Akkus“ und „Einsetzen eines Akkus“. Die NiMH-Batterie hat eine lange Lebensdauer und muss voraussichtlich nie ausgewechselt werden. Wenn die Batterie dennoch ausgewechselt werden muss, sollte der Austausch von einem qualifizierten Servicetechniker vorgenommen werden.

Entsorgen Sie die Batterie nicht im Hausmüll. Die Adresse der nächstgelegenen Annahmestelle für Altbatterien erhalten Sie bei Ihrem örtlichen Abfallentsorgungsbetrieb.

Dell™ Latitude™ X200

# Informazioni di sistema



# Note, avvisi e messaggi di attenzione



**NOTA:** una NOTA evidenzia informazioni importanti per un uso ottimale del computer.



**AVVISO:** un AVVISO può indicare un potenziale danno a livello di hardware o una perdita di dati e consiglia come evitare il problema.



**ATTENZIONE:** un messaggio di **ATTENZIONE** indica un rischio di danni alla proprietà, lesioni personali o morte.

## Abbreviazioni ed acronimi

Per un elenco completo delle abbreviazioni e degli acronimi, fare riferimento alla *Guida dell'utente*. A seconda del sistema operativo in uso, per accedere alla Guida fare doppio clic sull'icona **Guida dell'utente** sul desktop oppure fare clic sul pulsante **Start**, scegliere **Guida in linea e supporto tecnico**, quindi fare clic su **Guide dell'utente e di sistema**.

---

Le informazioni contenute nel presente documento sono soggette a modifiche senza preavviso.

© 2002 Dell Computer Corporation. Tutti i diritti riservati.

È severamente vietata la riproduzione, con qualsiasi strumento, senza l'autorizzazione scritta di Dell Computer Corporation.

Marchi di fabbrica usati nel presente documento: *Dell*, il logo *DELL*, *Latitude*, *TrueMobile* e *AccessDirect* sono marchi di fabbrica di Dell Computer Corporation; *Microsoft* e *Windows* sono marchi depositati di Microsoft Corporation.

Altri marchi di fabbrica e nomi commerciali possono essere utilizzati in questo documento sia in riferimento alle aziende che rivendicano il marchio e i nomi che ai prodotti stessi. Dell Computer Corporation nega qualsiasi partecipazione di proprietà relativa a marchi di fabbrica e nomi commerciali diversi da quelli di sua proprietà.

# Sommario

<b>Istruzioni di sicurezza ed EMC - Computer portatili</b> . . . . .	<b>117</b>
Attenzione: Istruzioni di sicurezza . . . . .	117
Istruzioni EMC . . . . .	122
Uso del computer . . . . .	123
Abitudini ergonomiche nell'uso del computer . . . . .	124
Rimozione o installazione di un modulo di memoria . . . . .	125
Protezione dalle scariche elettrostatiche . . . . .	126
<b>Ricerca di informazioni e assistenza</b> . . . . .	<b>127</b>
<b>Installazione del computer</b> . . . . .	<b>130</b>
<b>Informazioni sul computer</b> . . . . .	<b>131</b>
Vista frontale . . . . .	131
Vista laterale sinistra . . . . .	133
Vista laterale destra . . . . .	134
Retro del computer . . . . .	134
Vista inferiore . . . . .	135
<b>Rimozione della batteria</b> . . . . .	<b>136</b>
<b>Installazione di una batteria</b> . . . . .	<b>137</b>
<b>Esecuzione del programma Dell Diagnostics</b> . . . . .	<b>137</b>
<b>Avvisi sulle normative</b> . . . . .	<b>139</b>
Smaltimento della batteria . . . . .	140



# Istruzioni di sicurezza ed EMC - Computer portatili

Di seguito è descritto il significato di simboli *addizionali* usati *solo* nelle istruzioni di sicurezza e relative alla compatibilità elettromagnetica (EMC).



Pericolo di esplosione



Aereo



Pericolo di incendio



L'uso di questo dispositivo potrebbe essere vietato a bordo di un aereo



Rischio di scariche elettriche



**Attenzione: Istruzioni di sicurezza**

## Informazioni generali

- Non cercare di riparare il computer da soli se non si è un addetto autorizzato al supporto tecnico. Seguire sempre attentamente le istruzioni di installazione.
- Se si usa un cavo di alimentazione di prolunga unitamente all'adattatore c.a., accertarsi che l'assorbimento totale in ampere dei dispositivi collegati non superi il valore nominale di ampere del cavo di prolunga.



- Non inserire oggetti nelle prese d'aria o in altre fessure del computer. Ciò potrebbe causare un corto circuito dei componenti interni, con conseguenti incendi o scariche elettriche.



- Quando si usa l'adattatore c.a. per alimentare il computer o caricare la batteria, posizionarlo in una zona ventilata, ad esempio il piano di una scrivania o il pavimento. Non coprire l'adattatore c.a. con fogli o altri oggetti che potrebbero rallentarne il raffreddamento. Non usare inoltre l'adattatore c.a. lasciandolo all'interno della custodia per il trasporto.
- Non usare il computer portatile appoggiando la base a contatto diretto con la pelle per periodi prolungati. La temperatura superficiale della base aumenta durante il normale funzionamento, specialmente se il computer è alimentato a c.a. Il contatto prolungato con la pelle potrebbe causare fastidio o, in casi estremi, bruciate.



- Non usare il computer in un ambiente umido, ad esempio vicino a una vasca da bagno, un lavandino, una piscina o in un seminterrato umido.



- Se il computer è dotato di modem integrato o opzionale (scheda PC Card), scollegare il cavo del modem al sopraggiungere di temporali per evitare il rischio, sia pure remoto, di scariche elettriche causate da fulmini e trasmesse attraverso la linea telefonica.



- Per evitare potenziali rischi di scariche elettriche, non collegare o scollegare cavi, né eseguire operazioni di manutenzione o riconfigurazione del prodotto durante un temporale. Non usare il computer durante un temporale a meno che tutti i cavi siano stati scollegati e il computer sia alimentato esclusivamente a batteria.
- Se il computer è dotato di modem, il cavo usato con il modem deve avere dimensioni minime pari a 26 AWG (American Wire Gauge) e un connettore modulare RJ-11 conforme alle normative FCC.

- 
- Le schede PC Card possono diventare estremamente calde durante il normale funzionamento. In caso di funzionamento prolungato, rimuovere le schede PC Card con cautela.
  - Prima di pulire il computer, scollegarlo dalla fonte di alimentazione e rimuovere il gruppo batterie. Pulire il computer con un panno morbido inumidito con acqua. Non usare detergenti spray o liquidi che potrebbero contenere sostanze infiammabili.



**Attenzione: Alimentazione (Istruzioni di sicurezza, *continua*)**



- Usare esclusivamente l'adattatore c.a. fornito da Dell approvato per l'uso con questo computer. L'uso di un adattatore c.a. diverso potrebbe provocare incendi o esplosioni.
  - Prima di collegare il computer a una presa elettrica, controllare il valore della tensione dell'adattatore c.a. per accertarsi che la tensione e la frequenza corrispondano a quelle della fonte di alimentazione.
  - Per scollegare il computer dalle fonti di alimentazione, spegnere il computer, rimuovere il gruppo batterie e scollegare l'adattatore c.a. dalla presa elettrica.
- 
- Per evitare scariche elettriche, collegare l'adattatore c.a. e i cavi di alimentazione delle periferiche a fonti di alimentazione correttamente messe a terra. I cavi di alimentazione potrebbero essere dotati di spine a tre poli per fornire una messa a terra. Non usare adattatori per spine né rimuovere il polo di messa a terra dalla spina del cavo di alimentazione. Se è necessario un cavo di prolunga per l'alimentazione, usare un cavo di tipo appropriato, con spina a due o a tre poli, a cui collegare il cavo di alimentazione dell'adattatore c.a.



- Accertarsi che non vi siano oggetti appoggiati sopra il cavo di alimentazione dell'adattatore c.a. e che il cavo non sia di intralcio o possa essere calpestato.
- Se si usa una multipresa, prestare particolare attenzione quando vi si collega il cavo di alimentazione dell'adattatore c.a. Alcune multiprese potrebbero non consentire l'inserimento corretto della spina del cavo di alimentazione, con conseguente possibili danni permanenti al computer e rischio di scariche elettriche e incendi. Accertarsi che il polo di messa a terra della spina sia inserito nel corrispondente foro di contatto di messa a terra della multipresa.



#### **Attenzione: Batteria (Istruzioni di sicurezza, *continua*)**



- Usare esclusivamente moduli di batterie Dell approvati per l'uso con questo computer. L'uso di altri tipi di batterie potrebbe provocare incendi o esplosioni.
- Non trasportare il gruppo batterie in tasca, in borsa o in altri tipi di contenitori dove potrebbero essere presenti oggetti metallici, ad esempio le chiavi dell'auto o graffette metalliche, che potrebbero causare un corto circuito tra i morsetti della batteria. Le temperature estremamente alte, generate dal conseguente eccesso di flusso di corrente, potrebbero danneggiare il gruppo batterie o causare incendi o bruciature.

- 
- Se maneggiata non correttamente, la batteria comporta il rischio di incendio o bruciature. Non disassemblarla. Maneggiare con molta attenzione un gruppo batterie danneggiato o dal quale si è verificata una perdita. Se la batteria è danneggiata, è possibile che si verifichi una perdita di elettroliti dalle celle che può provocare lesioni.

- Tenere la batteria lontano dalla portata dei bambini.



- Non riporre o lasciare il computer o il gruppo batterie in prossimità di fonti di calore, quali caloriferi, caminetti, stufe, stufette elettriche o altre apparecchiature che emettono calore, né esporli a temperature superiori a 60° C (140° F). Se esposti a temperature eccessivamente elevate, gli elementi della batteria potrebbero esplodere o potrebbero verificarsi delle perdite, con conseguente rischio di incendio.



- Non gettare la batteria sul fuoco né insieme ai rifiuti domestici, in quanto potrebbe esplodere. Smaltire le batterie usate secondo le istruzioni del produttore o contattare l'autorità locale preposta allo smaltimento dei rifiuti per informazioni. Smaltire immediatamente le batterie esaurite o danneggiate.

**Attenzione: Viaggi in aereo (Istruzioni di sicurezza, *continua*)**

- L'uso del computer Dell™ a bordo di un aereo è subordinato a determinate normative stabilite dagli enti amministrativi per il trasporto aereo e/o a restrizioni specifiche delle compagnie aeree. Ad esempio, tali normative e restrizioni in genere vietano l'uso di qualsiasi dispositivo elettronico di comunicazione personale (PED) che consenta la trasmissione in radiofrequenza o mediante altri segnali elettromagnetici a bordo di un aereo.



- Per rispettare tutte le restrizioni indicate, se il computer portatile Dell è dotato di Dell TrueMobile™ o di un altro dispositivo per comunicazioni senza fili, disattivarlo prima di salire a bordo dell'aereo e seguire tutte le istruzioni fornite dagli assistenti di volo in relazione all'uso di tale dispositivo.



- L'uso di dispositivi elettronici di comunicazione personale, quali i computer portatili, può inoltre essere vietato durante le fasi cruciali del volo, ad esempio in fase di decollo e atterraggio. Alcune linee aeree definiscono fase cruciale di volo qualsiasi momento in cui l'aereo si trova a un'altezza inferiore a 3050 m. Per determinare quando è consentito l'uso di un dispositivo elettronico di comunicazione personale, seguire le istruzioni specifiche della compagnia aerea.

**Istruzioni EMC**

- Usare cavi schermati per garantire la conformità con la classe EMC prevista per l'ambiente di utilizzo. Dell fornisce un apposito cavo per stampanti parallele. È anche possibile ordinare il cavo da Dell presso il sito Web all'indirizzo [www.dell.com](http://www.dell.com).
- L'elettricità statica può danneggiare i componenti elettronici del computer. Per evitare possibili danni, scaricare l'elettricità statica dal corpo prima di toccare un componente del computer, ad esempio un modulo di memoria. A tale scopo è sufficiente toccare la superficie metallica non verniciata del pannello di input/output del computer.

## Uso del computer

Attenersi alle seguenti indicazioni di sicurezza per prevenire danni al computer.

- Prima di iniziare a usare il computer, appoggiarlo su una superficie piana.
  - Se si viaggia in aereo, non spedire il computer come bagaglio. Sebbene il computer non venga danneggiato dai dispositivi di sicurezza a raggi X, non fare mai passare il computer attraverso un metal detector. Se il computer deve essere ispezionato manualmente, accertarsi di avere a disposizione una batteria carica nell'eventualità che venga richiesto di accendere il computer.
  - Se si viaggia con il disco rigido rimosso dal computer, avvolgere l'unità con materiale non conduttore, ad esempio un panno o della carta. Se l'unità deve essere controllata manualmente, prepararsi a installare l'unità nel computer. Sebbene il disco rigido non venga danneggiato dai dispositivi di sicurezza a raggi X, non fare mai passare il disco rigido attraverso un metal detector.
  - Durante il viaggio, non collocare il computer negli scomparti portabagagli, dove potrebbe scivolare. Non fare cadere il computer, né sottoporlo ad altri urti meccanici.
  - Proteggere il computer, la batteria e il disco rigido dagli agenti ambientali, quali sporco, polvere, alimenti, liquidi, temperature eccessivamente basse o elevate e dall'esposizione diretta ai raggi solari.
  - Se nel passaggio da un ambiente all'altro il computer viene esposto a temperature e tassi di umidità notevolmente diversi, è possibile che sul computer o al suo interno si formi della condensa. Per evitare danni al computer, attendere che la condensa sia evaporata prima di usare il computer.
-  **AVVISO:** quando il computer passa da condizioni di bassa temperatura a un ambiente più caldo o da condizioni di temperatura elevata a un ambiente più freddo, attendere che il computer raggiunga la temperatura ambiente prima di accenderlo.
- Per scollegare un cavo, afferrare il connettore o il serracavo, non il cavo stesso. Mentre si estrae il connettore, mantenerlo correttamente allineato per evitare che i piedini si pieghino. Inoltre, prima di collegare un cavo, accertarsi che entrambi i connettori siano allineati e orientati in modo corretto.

- Maneggiare i componenti con attenzione. I componenti, quali i moduli di memoria, devono essere sollevati dai lati e non dai piedini.
- Per evitare possibili danni alla scheda di sistema, prima di rimuovere un modulo di memoria dalla scheda di sistema, spegnere il computer, scollegare il cavo dell'adattatore c.a. e attendere 5 secondi.
- Pulire lo schermo con un panno morbido e pulito e un comune detergente per vetri che non contenga cere o sostanze abrasive. Applicare il detergente sul panno, quindi passare il panno sullo schermo in una sola direzione, dalla parte superiore a quella inferiore. Se lo schermo presenta tracce di grasso o altri elementi estranei, usare alcol denaturato anziché detergente per vetri.
- Se il computer entra in contatto con liquidi o viene danneggiato, seguire le procedure descritte nella sezione "Soluzione di problemi" della *Guida dell'utente*. Se dopo avere seguito tali procedure il computer continua a non funzionare correttamente, contattare Dell. Vedere "Assistenza" nella *Guida dell'utente* per ottenere il numero di telefono appropriato.

### **Abitudini ergonomiche nell'uso del computer**



**ATTENZIONE: l'uso prolungato o improprio della tastiera può comportare lesioni.**



**ATTENZIONE: osservare lo schermo o il monitor esterno per periodi prolungati può causare disturbi alla vista.**

Per migliorare il comfort e l'efficienza, osservare le seguenti indicazioni ergonomiche durante la preparazione e l'uso del computer.

- Il computer portatile non è stato progettato per un uso prolungato in ambiente di ufficio. Si consiglia pertanto di collegare un monitor e una tastiera esterni se si desidera usare il computer in ambiente di ufficio per un periodo di tempo prolungato.
- Posizionare il computer direttamente di fronte a sé.
- Regolare l'inclinazione dello schermo del computer, le impostazioni del contrasto e della luminosità e l'illuminazione dell'ambiente in cui ci si trova, ad esempio luci, lampade da tavolo, tende e persiane delle finestre adiacenti, in modo da ridurre al minimo i riflessi sullo schermo.

- Quando si usa un monitor esterno collegato al computer, posizionare il monitor a una distanza che ne consenta una lettura senza sforzo (normalmente da 50 a 60 centimetri dagli occhi). Quando si è seduti di fronte al monitor accertarsi che lo schermo del monitor sia allo stesso livello degli occhi o leggermente più in basso.
- Usare una sedia che supporti in maniera adeguata la parte inferiore della schiena.
- Mentre si usa la tastiera, il trackstick, il touchpad o il mouse esterno, mantenere gli avambracci in posizione orizzontale e i polsi in posizione rilassata e confortevole.
- Mentre si usa la tastiera, il touchpad o il trackstick, usare sempre il supporto per i polsi. Se si usa un mouse esterno, lasciare sufficiente spazio per appoggiare le mani.
- Lasciare la parte superiore delle braccia rilassata lungo i fianchi.
- Sedere in posizione eretta, con i piedi appoggiati sul pavimento e le cosce in posizione orizzontale.
- Mentre si è seduti, accertarsi che il peso delle gambe sia appoggiato sui piedi e non sulla parte anteriore della sedia. Regolare l'altezza della sedia o usare un poggiapiedi, se necessario, per mantenere una posizione corretta.
- Variare le attività di lavoro. Organizzare il lavoro in modo da evitare l'uso della tastiera per periodi prolungati. Quando non si usa la tastiera per digitare, eseguire attività che richiedano l'uso di entrambe le mani.

## Rimozione o installazione di un modulo di memoria

Prima di rimuovere o installare un modulo di memoria, seguire la procedura descritta rispettando la sequenza indicata.



**AVVISO:** l'installazione dei moduli di memoria o di una scheda miniaturizzata PCI è l'unica operazione che richiede l'accesso all'interno del computer.



**AVVISO:** per evitare possibili danni alla scheda di sistema, attendere 5 secondi dallo spegnimento del computer prima di scollegare una periferica o rimuovere un modulo di memoria dalla scheda di sistema.

- 1 Spegnere il computer e tutte le periferiche collegate.
- 2 Scollegare il computer e le periferiche dalle prese elettriche per ridurre i rischi di lesioni personali o scariche elettriche. Scollegare dal computer eventuali linee telefoniche o altre linee di telecomunicazione.
- 3 Rimuovere la batteria principale dal relativo alloggiamento.
- 4 Scaricare a terra l'elettricità statica del corpo toccando una superficie metallica non verniciata sul pannello di I/O sul retro del computer.  
Durante l'intervento toccare periodicamente il pannello di I/O per scaricare l'elettricità statica eventualmente accumulata che potrebbe danneggiare i componenti interni.

### **Protezione dalle scariche elettrostatiche**

L'elettricità statica può danneggiare i componenti elettronici del computer. Per evitare possibili danni, scaricare l'elettricità statica dal corpo prima di toccare un componente del computer, ad esempio un modulo di memoria. A tale scopo è sufficiente toccare la superficie metallica non verniciata del pannello di I/O del computer.

Mentre si lavora sui componenti interni del computer, toccare periodicamente un connettore di I/O per scaricare l'eventuale carica elettrostatica accumulata dal corpo.

Per evitare danni causati dalle scariche elettrostatiche è inoltre possibile adottare le seguenti precauzioni:

- Quando si estrae dalla confezione un componente sensibile alle cariche elettrostatiche, non rimuoverlo dall'involucro antistatico fino al momento dell'installazione. Prima di aprire l'involucro antistatico, accertarsi di avere scaricato l'elettricità statica dal corpo.
- Prima di trasportare un componente sensibile alle cariche elettrostatiche, riporlo in un contenitore o involucro antistatico.
- Maneggiare tutti i componenti sensibili in un'area priva di energia elettrostatica. Se possibile, usare tappeti antistatici per il pavimento e il banco di lavoro.

L'avviso riportato di seguito potrebbe essere presente in altre sezioni della documentazione Dell per rammentare queste precauzioni.

➔ **AVVISO:** consultare "Protezione dalle scariche elettrostatiche" nella guida *Informazioni di sistema*.

## Ricerca di informazioni e assistenza

Nella tabella riportata di seguito sono elencate le risorse messe a disposizione da Dell come strumenti di supporto. Ulteriori risorse possono essere fornite con il computer.

### Risorse e Strumenti di supporto

Risorsa	Contenuto	Uso della risorsa
 Guide dell'utente	Guide dell'utente per il computer e le periferiche	<p>A seconda del sistema operativo in uso, fare doppio clic sull'icona <b>Guida dell'utente</b> sul desktop oppure fare clic sul pulsante <b>Start</b>, quindi scegliere <b>Guida in linea e supporto tecnico</b> per accedere alla documentazione memorizzata nel disco rigido.</p> <p>La risorsa contiene informazioni sui seguenti argomenti:</p> <ul style="list-style-type: none"><li>• Uso del computer</li><li>• Configurazione delle impostazioni di sistema</li><li>• Rimozione e installazione di componenti</li><li>• Installazione e configurazione di software</li><li>• Identificazione e risoluzione dei problemi</li><li>• Specifiche tecniche</li><li>• Reperimento di supporto tecnico</li></ul>
	<p><i>CD Drivers and Utilities</i></p> <ul style="list-style-type: none"><li>• Dell Diagnostics</li><li>• Driver</li><li>• Utilità</li><li>• Documentazione relativa al computer e alle periferiche</li></ul>	<p>Vedere il menu principale del CD <i>Drivers and Utilities</i> fornito con il computer. Usare il menu a discesa per effettuare le selezioni appropriate per il computer in uso.</p> <p>La documentazione e i driver sono già installati sul computer al momento della consegna. È possibile usare il CD per accedere alla documentazione, reinstallare i driver o eseguire gli strumenti di diagnostica.</p> <p>Per ulteriori informazioni, consultare la <i>Guida dell'utente</i> del computer.</p>



Risorsa	Contenuto	Uso della risorsa
<b>support.dell.com</b>	Sito Web Dell   Support <ul style="list-style-type: none"> <li>• Domande frequenti</li> <li>• Scaricamento di file per il computer</li> <li>• Documentazione</li> <li>• Forum di discussione in linea dedicato al computer</li> <li>• Database consultabile</li> </ul>	Visitare il sito <b>support.dell.com</b> e completare il modulo di registrazione (solo al primo accesso) per: <ul style="list-style-type: none"> <li>• Accedere alla <i>Guida dell'utente</i> del computer.</li> <li>• Ottenere informazioni di supporto su problemi relativi all'uso, all'installazione e alla risoluzione dei problemi (Ask Dudley, Dell Knowledge Base).</li> <li>• Accedere alla documentazione relativa al computer e alle periferiche (Dell Documents).</li> <li>• Scaricare le versioni più recenti dei driver per il computer (Downloads for Your Dell).</li> <li>• Partecipare a discussioni in linea con altri utenti ed esperti del supporto tecnico di Dell (Dell Talk).</li> <li>• Consultare l'elenco dei principali fornitori di Dell, in cui vengono forniti i collegamenti ai rispettivi siti.</li> </ul>
<b>Premier Support.Dell.com</b>	Sito Web Dell Premier Support <ul style="list-style-type: none"> <li>• Stato delle chiamate al servizio di assistenza</li> <li>• Informazioni sui problemi tecnici più frequenti suddivisi per prodotto</li> <li>• Domande frequenti suddivise per codice prodotto</li> <li>• Numeri di servizio personalizzati</li> <li>• Informazioni dettagliate sulla configurazione del sistema</li> </ul>	Visitare il sito <b>premiersupport.dell.com</b> . Il sito Web Dell Premier Support è una risorsa in linea espressamente studiata per aziende, entità governative e istituzioni scolastiche. Il servizio potrebbe non essere disponibile in tutti i paesi.

## Installazione del computer

- 1 Rimuovere gli accessori dalla scatola.
- 2 Mettere da parte gli oggetti contenuti nella scatola degli accessori che serviranno per completare la configurazione del computer.

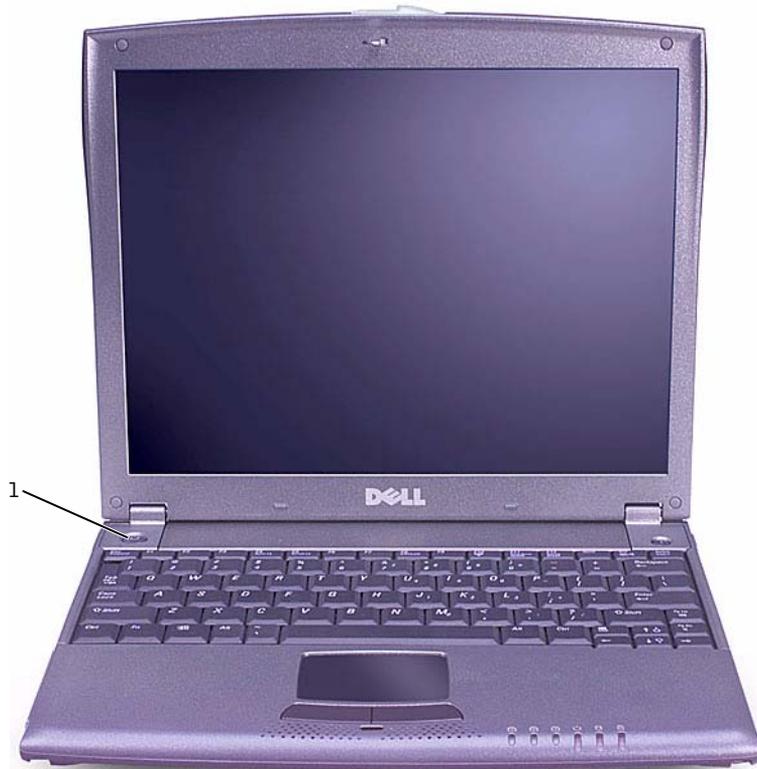
La scatola degli accessori contiene inoltre la documentazione per l'utente ed eventuale altro software o dispositivi hardware opzionali ordinati, quali schede PC Card, unità o batterie.

- 3 Collegare l'adattatore c.a. al relativo connettore sul computer e a una presa elettrica.



- 4 Sollevare lo schermo del computer e premere il pulsante di accensione per accendere il computer.

 **NOTA:** non collegare il computer a una base per supporti esterni X200 prima di averlo acceso e spento almeno una volta.



1 Pulsante di accensione

## Informazioni sul computer

### Vista frontale

 **ATTENZIONE:** non ostruire le prese d'aria, non introdurre oggetti e non lasciare che vi si accumuli dentro della polvere. Ciò potrebbe provocare incendi o il danneggiamento del computer.



1	Fermo di chiusura dello schermo	6	Indicatori di stato della tastiera
2	Schermo	7	Pulsanti del touchpad (2)
3	Pulsante Dell™ AccessDirect™	8	Altoparlanti (2)
4	Tastiera	9	Touchpad
5	Indicatori di stato del computer	10	Pulsante di accensione

## Vista laterale sinistra

➡ **AVVISO:** per evitare danni al computer, attendere 5 secondi dallo spegnimento del computer prima di scollegare una periferica esterna.

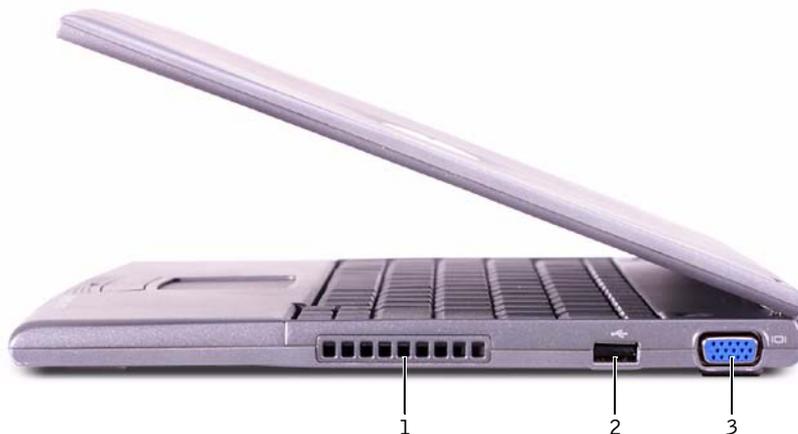


1	Connettore del modem	5	Connettore 1394
2	Connettore di rete	6	Connettori audio
3	Connettore dell'adattatore c.a.	7	Slot per schede PC Card
4	Connettore USB		

## Vista laterale destra

**⚠ ATTENZIONE:** non ostruire le prese d'aria, non introdurre oggetti e non lasciare che vi si accumuli dentro della polvere. Ciò potrebbe provocare incendi o il danneggiamento del computer.

**➡ AVVISO:** per evitare danni al computer, attendere 5 secondi dallo spegnimento del computer prima di scollegare una periferica esterna.



- 
- 1 Prese d'aria
  - 2 Connettore USB
  - 3 Connettore video
- 

## Retro del computer



- 
- 1 Slot per cavo di sicurezza
-

## Vista inferiore

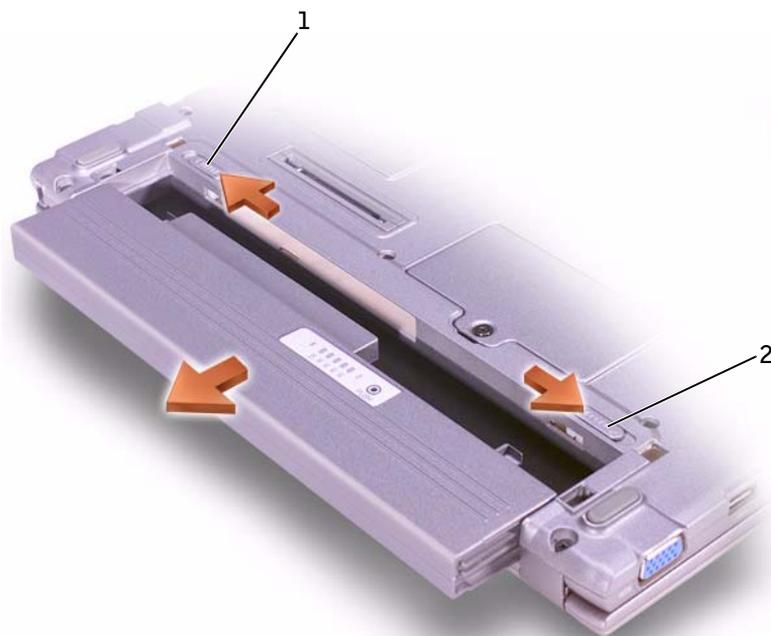


1 Coperchio della baia dei moduli di memoria	5 Fermo di blocco della batteria
2 Indicatore del livello di carica della batteria	6 Connettore di inserimento nella base per supporti esterni
3 Batteria e alloggiamento della batteria	7 Coperchio della scheda miniaturizzata PCI
4 Fermo di chiusura della batteria	

## Rimozione della batteria

➡ **AVVISO:** se si desidera sostituire la batteria con il computer in modalità di attesa, è disponibile al massimo 1 minuto per completare l'operazione prima che il computer si spenga, perdendo tutti i dati in memoria non salvati.

- 1 Accertarsi che il computer sia spento, in una modalità di risparmio energia o collegato a una presa elettrica.
- 2 Disinserire il computer se collegato a un replicatore di porta avanzato o a un alloggiamento di espansione.
- 3 Fare scorrere il dispositivo di blocco del fermo di chiusura della batteria sulla parte inferiore del computer in posizione di sblocco.
- 4 Fare scorrere e trattenere il fermo di chiusura della batteria situato sotto il computer, quindi estrarre la batteria dall'alloggiamento.



---

1 Dispositivo di blocco del fermo di chiusura della batteria

---

2 Fermo di chiusura della batteria

---

## Installazione di una batteria

- 1 Fare scorrere la batteria nell'alloggiamento fino a quando il fermo di chiusura scatta in posizione.
- 2 Far scorrere il dispositivo di blocco del fermo di chiusura della batteria in posizione di blocco.

## Esecuzione del programma Dell Diagnostics

Dell fornisce una serie di strumenti per assistere l'utente se il computer non funziona nel modo previsto. Per informazioni sugli strumenti di assistenza, consultare la *Guida dell'utente*.

Se si verifica un problema relativo al computer ed è impossibile accedere alla *Guida dell'utente* in linea, usare il programma Dell Diagnostics per determinare la causa del problema e cercare di risolverlo. Tale programma è disponibile sul CD *Drivers and Utilities* fornito con il computer.

Per avviare il programma di diagnostica, seguire la procedura descritta.

- 1 Spegnere il computer.
- 2 Assicurarsi che il computer sia collegato a una presa elettrica.
- 3 Accendere il computer con il CD *Drivers and Utilities* nell'unità CD, DVD o CD-RW.
- 4 Per accedere al programma di configurazione del sistema, premere  quando viene visualizzata la schermata con il logo di Dell e prima che appaia quella con il logo Microsoft® Windows®.
- 5 Premere la freccia destra per passare allo schermo **Boot** (avvio) e annotare la prima unità che compare nell'elenco della sequenza di avvio.
- 6 Usare le frecce su e giù per evidenziare **CD-ROM Drive** (unità CD-ROM), quindi premere  per spostare l'unità all'inizio dell'elenco.

 **NOTA:** eseguire il programma Dell Diagnostics prima di contattare il supporto tecnico di Dell poiché le prove di diagnostica forniscono informazioni che potrebbero essere richieste durante la telefonata.

 **NOTA:** annotare la sequenza di avvio corrente nel caso si desideri ripristinarla al termine dell'esecuzione di Dell Diagnostics.

- 7 Premere  e selezionare **Yes** per salvare le modifiche apportate, uscire dal programma di configurazione del sistema e riavviare il computer dall'unità CD.

Il computer si avvia ed esegue automaticamente il programma Dell Diagnostics.

Verrà visualizzata la schermata del logo di Dell, quindi verrà visualizzato un messaggio che indica che è in corso il caricamento della diagnostica. Al termine del caricamento verrà visualizzata la schermata **Diagnostics Menu** (menu diagnostica).

Per selezionare un'opzione di questo menu, evidenziarla e premere



oppure premere il tasto corrispondente alla lettera evidenziata nel nome dell'opzione desiderata.

- 8 Al termine dell'esecuzione del programma di diagnostica, estrarre il CD *Drivers and Utilities*.
- 9 Al riavvio del computer, premere  quando viene visualizzata la schermata con il logo di Dell e prima che appaia quella con il logo Microsoft Windows.
- 10 Nel programma di configurazione del sistema premere la freccia destra per passare allo schermo **Boot**.
- 11 Reimpostare l'elenco della sequenza di avvio in modo che la periferica annotata al punto 5 sia la prima unità.
- 12 Premere  e selezionare **Yes** per salvare le modifiche apportate, uscire dal programma di configurazione del sistema e riavviare Microsoft Windows.

## Avvisi sulle normative

Con interferenza elettromagnetica (EMI) si indica un qualsiasi segnale o emissione, irradiato nello spazio o trasmesso tramite cavi di alimentazione o di segnale, che può compromettere il funzionamento di dispositivi di navigazione radio o servizi di sicurezza di altro tipo, o che in modo significativo disturba, attenua o interrompe ripetutamente un servizio di radiocomunicazione a norma di legge. I servizi di radiocomunicazione comprendono, in via esemplificativa, trasmissioni commerciali AM/FM, televisione, servizi cellulari, radar, controllo del traffico aereo, cercapersone e servizi personali di comunicazione (PCS). Tali servizi a norma di legge, unitamente alle emissioni involontarie provenienti da dispositivi digitali quali i computer, contribuiscono alla formazione dell'ambiente elettromagnetico.

La compatibilità elettromagnetica (EMC) è la capacità dei dispositivi elettronici di operare contemporaneamente in modo corretto nell'ambiente elettromagnetico. Nonostante questo computer sia stato progettato per rispettare i limiti EMI dell'autorità normativa e tale compatibilità sia stata verificata, non vi è alcuna garanzia che non si verifichino interferenze in una particolare situazione. Qualora la presente apparecchiatura provocasse interferenze con servizi di radiocomunicazione, verificabili accendendo e spegnendo l'apparecchiatura, si consiglia di cercare di rimediare all'inconveniente mediante una o più delle seguenti misure.

- Cambiare l'orientamento dell'antenna di ricezione.
- Cambiare l'orientamento del computer rispetto all'apparecchio ricevente.
- Allontanare il computer dall'apparecchio ricevente.
- Collegare il computer a una presa di corrente diversa, in modo che il computer e l'apparecchio ricevente si trovino su diverse sezioni del circuito elettrico.

Se necessario, per ottenere ulteriori consigli, consultare un rappresentante del supporto tecnico di Dell o un tecnico radio/TV specializzato.

I computer Dell sono progettati, collaudati e classificati per l'ambiente elettromagnetico di utilizzo. Le classificazioni dell'ambiente elettromagnetico si riferiscono in genere alle seguenti definizioni standard:

- La Classe A corrisponde generalmente ad ambienti commerciali o industriali.
- La Classe B corrisponde generalmente ad ambienti residenziali.

Le apparecchiature informatiche (ITE), comprese le periferiche, le schede di espansione, le stampanti, le periferiche di input/output, i monitor, ecc. che sono integrate o collegate al computer devono appartenere alla stessa classe elettromagnetica del computer.

**Avviso sui cavi di trasmissione schermati: per ridurre la possibilità di interferenze con servizi di radiocomunicazione, usare esclusivamente cavi schermati per collegare periferiche a qualsiasi dispositivo Dell. L'impiego di cavi schermati garantisce la conformità con la classe EMC prevista per l'ambiente di utilizzo. Dell fornisce un apposito cavo per stampanti parallele. È anche possibile ordinare il cavo da Dell sul World Wide Web all'indirizzo [accessories.us.dell.com/sna/segmenter/asp](http://accessories.us.dell.com/sna/segmenter/asp).**

La maggior parte dei computer Dell rientra nella Classe B. Tuttavia l'aggiunta di determinati componenti opzionali può abbassare il livello di alcune configurazioni alla Classe A. Per determinare la classificazione elettromagnetica del proprio computer o periferica, consultare le seguenti sezioni in corrispondenza di ciascuna autorità normativa, che fornisce informazioni EMC/EMI e sulla sicurezza del prodotto.

### Smaltimento della batteria



Il computer usa una batteria agli ioni di litio e una pila a disco all'idruro di nichel-metallo (NiMH). Per istruzioni sulla sostituzione della batteria agli ioni di litio nel computer, consultare le sezioni "Rimozione della batteria" e "Installazione di una batteria" della guida *Informazioni di sistema*. La pila NiMH ha una durata estremamente lunga ed è possibile che non ne sia mai richiesta la sostituzione. Tuttavia, qualora fosse necessario sostituirla, l'operazione deve essere eseguita da un addetto autorizzato al supporto tecnico.

Non gettare la batteria insieme ai rifiuti domestici. Per informazioni sul più vicino centro di raccolta di batterie esaurite, contattare i responsabili del servizio smaltimento rifiuti di zona.

Dell™ Latitude™ X200

# Manual de informações do sistema

## Notas, avisos e cuidados



**NOTA:** Indica informações importantes que o ajudam a utilizar melhor o computador.



**AVISO:** Indica uma situação que pode provocar danos no hardware ou perda de dados e indica como evitar o problema.



**CUIDADO:** Indica uma situação que pode provocar danos materiais, lesões corporais ou mesmo a morte.

## Abreviaturas e acrónimos

Para obter uma lista completa de abreviaturas e acrónimos, consulte o *Manual do utilizador* (dependendo do sistema operativo, faça duplo clique no ícone **Manual do utilizador** no ambiente de trabalho ou clique no botão **Iniciar**, clique em **Ajuda e suporte** e clique em **Manuais do utilizador e do sistema**).

---

As informações contidas neste documento estão sujeitas a alterações sem aviso prévio.

© 2002 Dell Computer Corporation. Todos os direitos reservados.

Qualquer tipo de reprodução sem autorização por escrito da Dell Computer Corporation é expressamente proibida.

Marcas registadas utilizadas neste texto: *Dell*, o logótipo *DELL*, *Latitude*, *TrueMobile* e *AccessDirect* são marcas comerciais da Dell Computer Corporation; *Microsoft* e *Windows* são marcas registadas da Microsoft Corporation.

Podem ser utilizadas neste documento outras marcas comerciais ou nomes de marcas para referir as entidades que reivindicam a titularidade das marcas e dos nomes dos respectivos produtos. A Dell Computer Corporation exclui qualquer responsabilidade relativamente a marcas comerciais e nomes de marcas para além da que possui.

# Conteúdo

<b>Instruções de segurança e EMC:</b>	
<b>Computadores portáteis</b> . . . . .	<b>145</b>
Cuidado: Instruções de segurança . . . . .	145
Instruções de EMC . . . . .	150
Utilização do computador . . . . .	150
Hábitos computacionais ergonómicos . . . . .	151
Remover ou instalar um módulo de memória . . . . .	152
Protecção contra descargas electrostáticas . . . . .	153
<b>Obter informações e assistência</b> . . . . .	<b>154</b>
<b>Configurar o computador</b> . . . . .	<b>156</b>
<b>Sobre o computador</b> . . . . .	<b>157</b>
Vista frontal . . . . .	157
Vista lateral esquerda . . . . .	159
Vista lateral direita . . . . .	160
Vista posterior . . . . .	160
Vista inferior . . . . .	161
<b>Remover uma bateria</b> . . . . .	<b>162</b>
<b>Instalar uma bateria</b> . . . . .	<b>163</b>
<b>Executar o programa de diagnóstico da Dell</b> . . . . .	<b>163</b>
<b>Avisos regulamentares</b> . . . . .	<b>165</b>
Eliminação da bateria . . . . .	166



# Instruções de segurança e EMC: Computadores portáteis

As informações que se seguem definem o significado de símbolos *adicionais* utilizados *apenas* nas instruções de segurança e compatibilidade electromagnética (EMC).



Risco de explosão



Aviões



Risco de incêndio



A utilização deste equipamento  
poderá ser proibida em aviões



Risco de choque  
eléctrico



## **Cuidado: Instruções de segurança**

### **Geral**

- Não tente fazer a manutenção do computador sozinho, a menos que seja um técnico de assistência autorizado. Siga sempre à risca as instruções de instalação.
- Se utilizar uma extensão de cabo de alimentação com o adaptador CA, certifique-se de que a amperagem total dos produtos ligados à extensão não excede a potência nominal em amperes da mesma.
- Não bloqueie as saídas de ar ou outras aberturas existentes no computador com objectos. Esse procedimento pode provocar um incêndio ou choque eléctrico em consequência de curtos circuitos em componentes internos.





- Coloque o adaptador CA numa área ventilada, tal como uma mesa ou no chão, quando o utilizar para ligar o computador ou carregar a bateria. Não cubra o adaptador CA com papéis ou outros objectos que diminuam o arrefecimento; além disso, não utilize o adaptador CA num estojo de transporte.
- Não trabalhe com o computador portátil colocado directamente sobre a pele (como, por exemplo, sobre as pernas) por períodos prolongados. A temperatura de superfície da base aumentará durante o funcionamento normal (em particular quando o tipo de alimentação for CA). O contacto directo com a pele por um período prolongado pode provocar mal-estar ou mesmo queimaduras.



- Não utilize o computador em ambientes húmidos, como, por exemplo, próximo de banheiras, lava-loiças, piscinas ou ainda em caves húmidas.



- Se o computador tiver um modem integrado ou opcional (PC Card), desligue o cabo do modem durante tempestades com descargas eléctricas para evitar o risco remoto de choque eléctrico devido à passagem de raios pela linha telefónica.



- Para evitar o risco potencial de choque eléctrico, não ligue ou desligue cabos, nem faça a manutenção ou reconfiguração deste produto durante tempestades com descargas eléctricas. Não utilize o computador durante tempestades com descargas eléctricas, a menos que todos os cabos tenham sido desligados e que o computador esteja a funcionar com alimentação por bateria.
- Se o computador tiver um modem, o cabo utilizado com o modem deve ser fabricado com um tamanho de fio mínimo de 26 AWG (American Wire Gauge) e uma ficha modular RJ-11 compatível com FCC.

- As placas PC Card podem ficar muito quentes durante o funcionamento normal. Tenha cuidado ao removê-las após um funcionamento contínuo.
- Antes de limpar o computador, descarregue-o. Limpe o computador com um pano macio, humedecido em água. Não utilize produtos de limpeza líquidos ou em aerossol, já que esses produtos podem conter substâncias inflamáveis.



### **Cuidado: Alimentação (Instruções de segurança, *continuação*)**



- Utilize apenas o adaptador CA fornecido pela Dell e aprovado para utilização com este computador. A utilização de outro adaptador CA pode provocar um incêndio ou uma explosão.
- Antes de ligar o computador a uma tomada eléctrica, verifique a tensão nominal do adaptador CA para se certificar de que a frequência e a tensão solicitadas correspondem à fonte de alimentação disponível.
- Para descarregar o computador, desligue-o, retire a bateria e desligue o adaptador CA da tomada eléctrica.



- Para evitar a possibilidade de choque eléctrico, ligue o adaptador CA e os cabos de alimentação dos periféricos a fontes de alimentação correctamente ligadas à terra. Esses cabos de alimentação podem estar equipados com fichas de três pinos por forma a possibilitar uma ligação à terra. Não utilize adaptadores nem remova o pino de terra da ficha do cabo de alimentação. Se utilizar uma extensão de cabo de alimentação, utilize o tipo correcto – dois pinos ou três pinos – correspondente ao cabo de alimentação do adaptador CA.



- Certifique-se de que nada se encontra sobre o cabo de alimentação do adaptador CA e de que o cabo não se encontra em locais em que possa ser pisado ou em que provoque quedas.
- Se estiver a utilizar uma tomada com várias saídas, tenha cuidado ao ligar o cabo de alimentação do adaptador CA à tomada. Algumas tomadas podem permitir que a ficha seja inserida incorrectamente. Se a ficha de alimentação for inserida incorrectamente, o computador poderá sofrer danos permanentes e haverá o risco de choque eléctrico e/ou incêndio. Certifique-se de que o pino de terra da ficha de alimentação está inserido no contacto de terra correspondente da tomada de alimentação.



#### **Cuidado: Bateria (Instruções de segurança, *continuação*)**



- Utilize apenas módulos de bateria da Dell aprovados para utilização neste computador. A utilização de outros tipos de bateria pode aumentar o risco de incêndio ou explosão.
- Não transporte baterias no bolso, na mala ou noutros locais em que objectos metálicos (como as chaves de carro ou cliques) possam provocar um curto-circuito nos terminais das baterias. O fluxo de corrente excessiva resultante pode provocar temperaturas extremamente altas e provocar danos na bateria, incêndio ou queimaduras.
- Quando manuseada de forma incorrecta, a bateria representa um risco de queimaduras. Não desmonte a bateria. Manuseie com muito cuidado baterias danificadas ou com fugas. Se a bateria estiver danificada, poderá ocorrer a fuga de electrólitos das células, o que poderá provocar lesões corporais.
- Mantenha a bateria longe de crianças.



- Não guarde nem deixe o computador ou a bateria perto de uma fonte de calor, como radiadores, lareiras, fornos, aquecedores eléctricos ou quaisquer outros electrodomésticos geradores de calor, nem o exponha de alguma forma a temperaturas superiores a 60°C (140°F). Quando expostas a temperaturas excessivas, as células da bateria podem explodir ou apresentar fugas, o que representa um risco de incêndio.



- Não queime as baterias do computador nem as deite fora com o lixo doméstico. As células da bateria podem explodir. Elimine as baterias usadas de acordo com as instruções do fabricante ou contacte uma empresa local de recolha de lixo para obter mais instruções sobre como o fazer. Elimine imediatamente baterias gastas ou danificadas.



#### **Cuidado: Viagens de avião (Instruções de segurança, *continuação*)**



- O funcionamento do computador Dell™ a bordo de aviões pode estar sujeito às leis do país em questão ou a restrições específicas das companhias aéreas. Por exemplo, essas leis ou restrições podem proibir a utilização de qualquer dispositivo electrónico pessoal (PED) que possa transmitir intencionalmente frequências de rádio ou outros sinais electromagnéticos a bordo de um avião.



- Para ficar em conformidade com todas essas restrições, se o computador portátil da Dell estiver equipado com o Dell TrueMobile™ ou qualquer outro dispositivo de comunicações sem fios, desactive esse dispositivo antes de embarcar e siga todas as instruções fornecidas pela tripulação em relação a esse dispositivo.



- Além disso, a utilização de qualquer PED, tal como um computador portátil, pode ser proibida em aviões durante períodos críticos do voo como, por exemplo, ao levantar voo ou ao aterrar. Algumas companhias aéreas podem definir como período crítico do voo qualquer momento em que o avião esteja abaixo de 3050 m (10.000 pés). Siga as instruções específicas da companhia aérea para saber quando a utilização de um PED é permitida.

## Instruções de EMC

- Utilize cabos de sinal blindados para garantir que é mantida a classificação apropriada de EMC para o ambiente específico. Para impressoras paralelas, está disponível um cabo da Dell. Se preferir, encomende um cabo no Web site da Dell, em [www.dell.com](http://www.dell.com).
- A electricidade estática pode danificar os componentes electrónicos no interior do computador. Para evitar danos de estática, descarregue a electricidade estática do seu corpo antes de tocar em qualquer componente electrónico do computador, tal como o módulo de memória. Pode fazê-lo tocando numa superfície de metal não pintada no painel de entrada/saída do computador.

## Utilização do computador

Siga as instruções de manuseamento seguro que se seguem para evitar danos no computador:

- Ao preparar o computador para trabalhar, coloque-o sobre uma superfície plana.
- Ao viajar, não despache o computador como bagagem. O computador pode passar por uma máquina de raios X, mas nunca por um detector de metais. Se levar o computador como bagagem de mão, certifique-se de que tem uma bateria carregada disponível para o caso de lhe ser pedido que o ligue.
- Ao viajar com a unidade de disco rígido separada do computador, embale-a em material não condutor, tal como tecido ou papel. Se transportar a unidade como bagagem de mão, esteja preparado para a instalar no computador. A unidade de disco rígido pode passar por uma máquina de raios X, mas nunca por um detector de metais.
- Ao viajar, não coloque o computador em compartimentos de bagagem suspensos, onde poderá deslizar. Não deixe o computador cair nem o submeta a outros impactos mecânicos.
- Proteja o computador, a bateria e a unidade de disco rígido (HDD) de riscos ambientais, tais como sujidade, pó, alimentos, líquidos, temperaturas extremas e exposição excessiva a raios solares.
- Quando transportar o computador entre ambientes com níveis de temperatura e/ou humidade muito diferentes, é possível que se forme condensação sobre ou dentro do computador. Para não danificar o computador, deixe que a humidade se evapore antes de o utilizar.

 **AVISO:** Ao transportar o computador de condições de baixas temperaturas para um ambiente mais quente ou de condições de temperaturas elevadas para um ambiente mais frio, aguarde que o computador se adapte à temperatura ambiente antes de o ligar.

- Ao desligar um cabo, puxe pelo respectivo conector ou o anel de alívio de tensão e não pelo próprio cabo. Ao remover o conector, mantenha-o alinhado para não danificar os pinos. Além disso, antes de ligar um cabo, certifique-se de que ambos os conectores estão orientados e alinhados correctamente.
- Manuseie os componentes com cuidado. Segure um componente, como um módulo de memória, pelas extremidades e não pelos pinos.
- Ao preparar-se para remover um módulo de memória da placa do sistema, desligue o computador, desligue o cabo do adaptador CA e aguarde 5 segundos antes de continuar, a fim de evitar possíveis danos à placa do sistema.
- Limpe o ecrã com um pano macio e limpo, e opte por limpa-vidros comerciais que não tenham cera ou substâncias abrasivas. Aplique o detergente no tecido; depois, passe-o sobre o ecrã numa única direcção, em movimentos de cima para baixo. Se o ecrã tiver gordura ou outra substância contaminante, utilize álcool isopropílico em vez de limpa-vidros comerciais.
- Se o computador ficar molhado ou danificado, siga os procedimentos descritos em “Resolução de problemas” no *Manual do utilizador*. Se, depois de seguir esses procedimentos, o computador não funcionar correctamente, contacte a Dell. (Consulte “Obter ajuda” no *Manual do utilizador* para obter o número de telefone correcto.)

## Hábitos computacionais ergonómicos

 **CAUIDADO: A utilização inadequada ou prolongada do teclado pode provocar lesões.**

 **CAUIDADO: Olhar para o visor ou para o ecrã do monitor externo por períodos prolongados pode resultar em cansaço visual.**

Para conseguir conforto e eficiência, respeite as seguintes directrizes ergonómicas quando instalar e utilizar o computador:

- É um computador portátil e não se destina ao funcionamento contínuo como equipamento de escritório. Para utilização alargada num escritório, recomenda-se a utilização de monitor e teclado externos.

- Coloque o computador directamente à sua frente enquanto trabalha.
- Ajuste a inclinação do visor, as definições de contraste e/ou luminosidade, bem como a iluminação em seu redor (como lâmpadas de tecto, candeeiros de secretária e cortinas ou persianas em janelas nas proximidades), para minimizar reflexos e clarões no ecrã.
- Ao utilizar um monitor externo com o computador, coloque-o a uma distância de visualização confortável (geralmente, a uma distância entre 510 e 610 mm dos olhos). Ao sentar-se à frente do monitor, certifique-se de que o ecrã está ao nível dos olhos ou ligeiramente abaixo.
- Utilize uma cadeira com um bom suporte da parte inferior das costas.
- Mantenha os antebraços na horizontal, com os pulsos numa posição neutra e confortável, quando utilizar o teclado, um touch pad, um track stick ou um rato externo.
- Utilize sempre o apoio das mãos com o teclado, touch pad ou track stick. Deixe espaço para repousar as mãos quando utilizar um rato externo.
- Solte os braços naturalmente na parte lateral do corpo.
- Sente-se em posição erecta, com os pés sobre o chão e mantendo as coxas paralelas.
- Quando sentado, certifique-se de que o peso das pernas recai sobre os pés e não sobre a parte frontal do assento da cadeira. Ajuste a altura da cadeira ou utilize um descanso para os pés, se necessário, para manter a postura correcta.
- Diversifique as suas actividades de trabalho. Tente organizar o trabalho de modo a não ter de digitar por períodos prolongados. Quando parar de digitar, tente ter actividades que utilizem ambas as mãos.

## Remover ou instalar um módulo de memória

Antes de remover ou instalar um módulo de memória, siga estes passos na sequência indicada.

- ➡ **AVISO:** A única ocasião em que deverá ter acesso à parte interna do computador será quando instalar um módulo de memória ou uma placa Mini PCI Card.
- ➡ **AVISO:** Aguarde 5 segundos depois de desligar o computador para desligar um dispositivo periférico ou remover um módulo de memória, a fim de evitar possíveis danos à placa do sistema.

- 1 Desligue o computador e todos os periféricos ligados.
- 2 Desligue o computador e respectivos periféricos da tomada eléctrica para reduzir a possibilidade de choques ou lesões. Além disso, desligue quaisquer linhas telefónicas ou de telecomunicações do computador.
- 3 Remova a bateria principal do compartimento da bateria.
- 4 Para eliminar a electricidade estática do corpo, toque na superfície de metal não pintada do painel de E/S existente na parte de trás do computador.

Ao trabalhar, toque periodicamente no painel de E/S para dissipar electricidade estática que possa danificar os componentes internos.

## Protecção contra descargas electrostáticas

A electricidade estática pode danificar os componentes electrónicos no interior do computador. Para evitar danos de estática, descarregue a electricidade estática do seu corpo antes de tocar em qualquer componente electrónico do computador, tal como o módulo de memória. Pode fazê-lo tocando numa superfície de metal não pintada no painel de E/S do computador.

Enquanto estiver a trabalhar no interior do computador, toque periodicamente num conector de E/S para remover a carga estática que possa ter acumulado no corpo.

Também pode efectuar os seguintes passos para evitar danos decorrentes de descarga electrostática (ESD):

- Ao desembalar um componente sensível à estática, não retire o componente do material da embalagem anti-estática enquanto não estiver preparado para o instalar. Antes de retirar a embalagem anti-estática, descarregue a electricidade estática do corpo.
- Ao transportar um componente sensível, comece por colocá-lo num recipiente ou numa embalagem anti-estática.
- Manuseie todos os componentes sensíveis numa área protegida contra estática. Se possível, utilize passadeiras e protecções de secretária anti-estática.

O aviso que segue pode aparecer na documentação da Dell para recordar essas precauções:



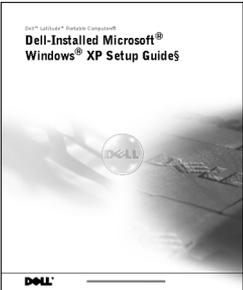
**AVISO:** Consulte "Protecção contra descargas electrostáticas" no *Manual de informações do sistema*.

# Obter informações e assistência

A tabela seguinte lista os recursos fornecidos pela Dell como ferramentas de suporte. Podem ser enviados recursos adicionais com o computador.

## Recursos e ferramentas de suporte

Recurso	Conteúdo	Utilização do recurso
 <p>Manuais do utilizador</p>	<p>Manuais do utilizador para o computador e dispositivos</p>	<p>Dependendo do sistema operativo, faça duplo clique no ícone <b>Manuais do utilizador</b> no ambiente de trabalho ou clique no botão <b>Iniciar (Start)</b> e seleccione <b>Ajuda e suporte (Help and Support)</b> para aceder à documentação armazenada na unidade de disco rígido.</p> <p>Obtenha informações sobre o seguinte:</p> <ul style="list-style-type: none"> <li>• Utilizar o computador</li> <li>• Configurar definições do sistema</li> <li>• Remover e instalar peças</li> <li>• Instalar e configurar software</li> <li>• Diagnosticar um problema</li> <li>• Especificações técnicas</li> <li>• Obter assistência técnica</li> </ul>
	<p>CD <i>Controladores e utilitários</i></p> <ul style="list-style-type: none"> <li>• Diagnósticos da Dell</li> <li>• Controladores</li> <li>• Utilitários</li> <li>• Documentação do computador e de dispositivos</li> </ul>	<p>Consulte o menu principal do CD <i>Controladores e utilitários</i> fornecido com o computador. Utilize o menu pendente para efectuar selecções adequadas para o computador.</p> <p>A documentação e os controladores já estão instalados no computador quando este é enviado pela Dell. Pode utilizar este CD para aceder a documentação, reinstalar controladores ou executar ferramentas de diagnóstico.</p> <p>Para mais informações, consulte o <i>Manual do utilizador</i> do computador.</p>
 	<p>Etiquetas de assistência e registo</p> <ul style="list-style-type: none"> <li>• Código de serviço expresso e sequência de etiqueta de serviço</li> <li>• Chave do produto (também denominada ID do produto ou Certificado de autenticidade [COA]).</li> </ul>	<p>O código de serviço expresso e a sequência de etiqueta de serviço são identificadores exclusivos do computador Dell™.</p> <p>O número da chave do produto (ou ID do produto) será necessário para completar a configuração do sistema operativo.</p>

Recurso	Conteúdo	Utilização do recurso
	<p>CD <i>Sistema operativo</i></p>	<p>Para reinstalar o sistema operativo, utilize o CD <i>Sistema operativo</i> fornecido com o computador.</p> <p><b>NOTA:</b> O CD <i>Sistema operativo</i> poderá não incluir todos os controladores mais recentes para o computador. Se reinstalar o sistema operativo, utilize o CD <i>Controladores e utilitários</i> para reinstalar controladores para os dispositivos fornecidos com o computador.</p> <p>Para mais informações sobre como instalar o sistema operativo, consulte o <i>Manual de configuração do Microsoft® Windows®</i> instalado pela Dell, fornecido com o computador.</p>
	<p><i>Manual de configuração do Windows</i> instalado pela Dell</p>	<p>Consulte o <i>Manual de configuração</i> para obter informações sobre como instalar e configurar o sistema operativo.</p> <p><b>NOTA:</b> Para obter informações sobre o sistema operativo, clique no botão <b>Iniciar (Start)</b> e clique em <b>Ajuda (Help)</b> ou em <b>Ajuda e suporte (Help and Support)</b>, dependendo do sistema operativo.</p>
<p><b>support.dell.com</b></p>	<p>Web site Dell   Support</p> <ul style="list-style-type: none"> <li>• Perguntas mais frequentes (FAQ)</li> <li>• Transferências para o computador</li> <li>• Documentação</li> <li>• Debates online sobre o computador</li> <li>• Base de dados de pesquisa</li> </ul>	<p>Visite o site <b>support.dell.com</b> e complete o registo individual:</p> <ul style="list-style-type: none"> <li>• Consulte o <i>Manual do utilizador</i> referente ao seu computador</li> <li>• Obtenha ajuda relativamente a questões de utilização geral, instalação e resolução de problemas (Ask Dudley, Dell Knowledge Base)</li> <li>• Aceda a documentação sobre o computador e os dispositivos (Dell Documents)</li> <li>• Obtenha as versões mais recentes dos controladores para o computador (Downloads for Your Dell)</li> <li>• Participe em debates com outros clientes e profissionais de assistência técnica da Dell (Dell Talk)</li> <li>• Explore uma lista de hiperligações online para os principais fornecedores da Dell</li> </ul>

Recurso	Conteúdo	Utilização do recurso
<b>Premier Support.Dell.com</b>	<p>Web site Dell Premier Support</p> <ul style="list-style-type: none"> <li>• Estado das chamadas de assistência</li> <li>• Principais questões técnicas por produto</li> <li>• Perguntas mais frequentes por número de produto</li> <li>• Etiquetas de serviço personalizadas</li> <li>• Detalhe de configuração do sistema</li> </ul>	<p>Visite o Web site <a href="http://premiersupport.dell.com">premiersupport.dell.com</a>:</p> <p>O Web site Dell Premier Support é personalizado para clientes empresariais, governamentais e educacionais.</p> <p>Este serviço poderá não estar disponível em todas as regiões.</p>

## Configurar o computador

- 1 Desembale a caixa de acessórios.
- 2 Separe o conteúdo da caixa de acessórios, necessário para concluir a configuração do computador.

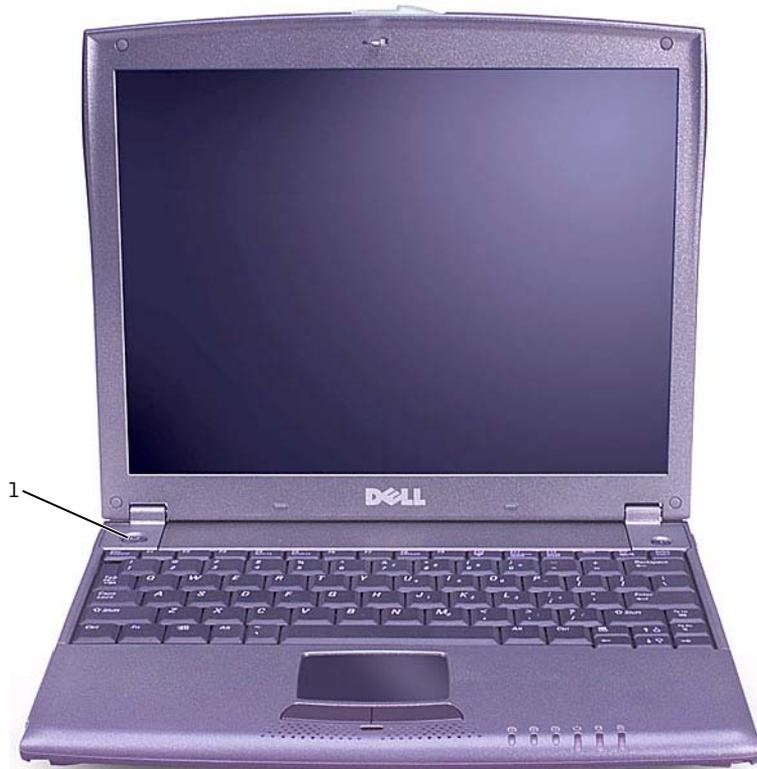
A caixa de acessórios também contém documentação do utilizador e todo o software ou hardware adicional (como placas PC Card, unidades ou baterias) que tenha sido encomendado.

- 3 Ligue o adaptador CA ao conector do adaptador CA e à tomada eléctrica.



- 4 Abra o ecrã do computador e prima o botão de alimentação para ligar o computador.

 **NOTA:** Não ligue o computador à base de suportes de dados X200 Media Base até o computador ter sido ligado e encerrado, pelo menos, uma vez.



---

1 botão de alimentação

---

## Sobre o computador

### Vista frontal

 **CUIDADO:** Não bloqueie, não introduza objectos nem deixe que se acumule pó nas saídas de ar. Isso pode danificar o computador ou provocar um incêndio.



1	fecho do ecrã	6	luzes de estado do teclado
2	ecrã	7	botões do touch pad (2)
3	Botão Dell™ AccessDirect™	8	altifalantes (2)
4	teclado	9	touch pad
5	luzes de estado do dispositivo	10	botão de alimentação

## Vista lateral esquerda

➡ **AVISO:** Para evitar danos do computador, aguarde cinco segundos após desligar o computador e antes de desligar um dispositivo externo.

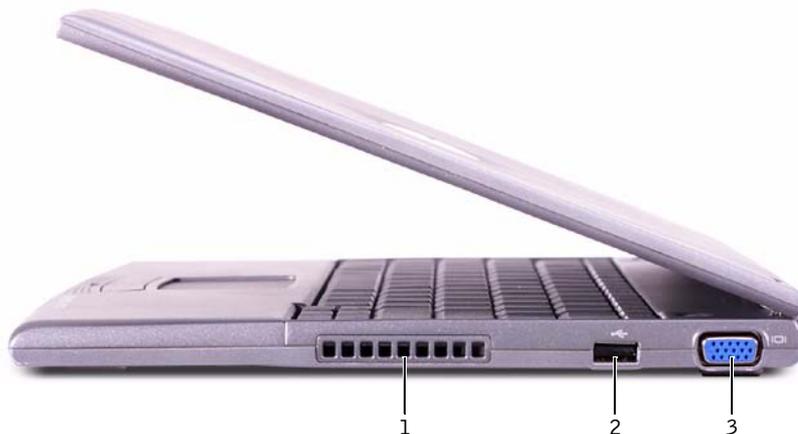


1	conector de modem	5	conector 1394
2	conector de rede	6	conectores de áudio
3	conector do adaptador CA	7	ranhura de PC Card
4	conector USB		

## Vista lateral direita

**⚠ CUIDADO:** Não bloqueie, não introduza objectos nem deixe que se acumule pó nas saídas de ar. Isso pode danificar o computador ou provocar um incêndio.

**➡ AVISO:** Para evitar danos do computador, aguarde cinco segundos após desligar o computador e antes de desligar um dispositivo externo.



- |   |                   |
|---|-------------------|
| 1 | saídas de ar      |
| 2 | conector USB      |
| 3 | conector de vídeo |

## Vista posterior



- |   |                              |
|---|------------------------------|
| 1 | ranhura do cabo de segurança |
|---|------------------------------|

## Vista inferior

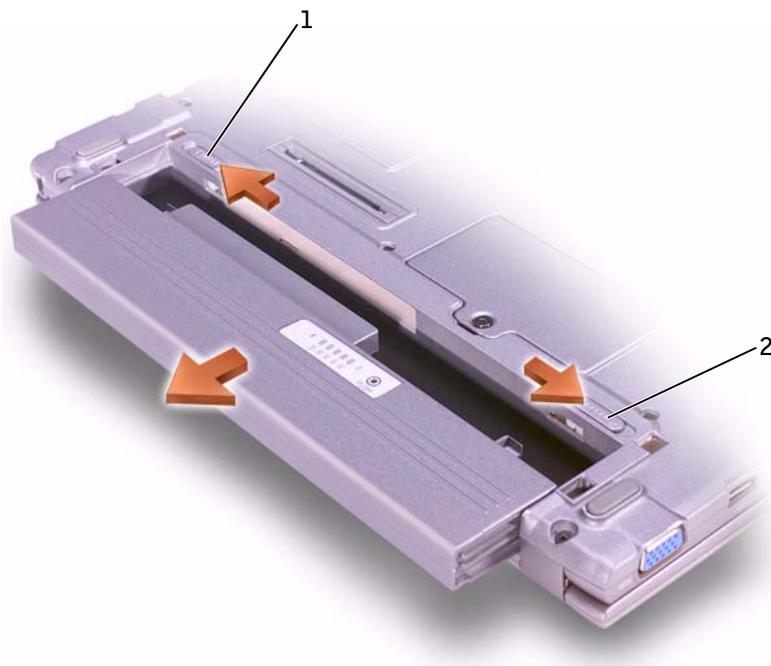


1	tampa do módulo de memória	5	fecho de bloqueio da bateria
2	indicador da bateria	6	conector de ancoragem da base de suportes de dados
3	bateria/compartimento da bateria	7	tampa da placa Mini PCI
4	fecho de libertação da bateria		

## Remover uma bateria

➔ **AVISO:** Se optar por substituir a bateria com o computador no modo de suspensão, disporá de até 1 minuto para concluir a substituição antes de o computador ser encerrado e de perder os dados que não tenham sido guardados.

- 1 Certifique-se de que o computador está desligado, em suspensão num modo de gestão da alimentação ou ligado a uma tomada eléctrica.
- 2 Se o computador estiver ancorado, desancore-o.
- 3 Deslize o fecho de bloqueio da bateria, na parte inferior do computador, para a posição de desbloqueio.
- 4 Deslize e segure o fecho de libertação da bateria, na parte inferior do computador, e remova a bateria do compartimento.



- |   |                                |
|---|--------------------------------|
| 1 | fecho de bloqueio da bateria   |
| 2 | fecho de libertação da bateria |

## Instalar uma bateria

- 1 Deslize a bateria para dentro do compartimento até ouvir um clique do fecho.
- 2 Deslize o fecho de bloqueio da bateria para a posição de bloqueio.

## Executar o programa de diagnóstico da Dell

A Dell fornece várias ferramentas para o ajudar se o computador não funcionar como previsto. Para obter informações sobre essas ferramentas de ajuda, consulte o *Manual do utilizador*.

Se tiver um problema com o computador e não conseguir aceder ao *Manual do utilizador* online, utilize programa de diagnósticos da Dell (Dell Diagnostics) para o ajudar a determinar causa do problema e a resolvê-lo. Os diagnósticos estão no CD *Controladores e utilitários* fornecido com o computador.

Para iniciar o programa de diagnósticos, efectue os seguintes passos:

- 1 Desligue o computador.
- 2 Certifique-se de que o computador está ligado a uma tomada eléctrica.
- 3 Ligue o computador com o CD *Controladores e utilitários* na unidade de CD DVD/CD-RW.
- 4 Prima  para iniciar o programa de configuração do sistema assim que aparecer o logótipo da Dell no ecrã, antes apareça no ecrã o logótipo do Microsoft® Windows®.
- 5 Prima a tecla de seta para a direita para mover o cursor para o ecrã **Boot** e tome nota do primeiro dispositivo na lista de sequência de arranque.
- 6 Utilize a tecla de seta para cima ou para baixo para destacar **Unidade de CD-ROM** e, em seguida, utilize a tecla  para movê-lo para o início da lista de sequência de arranque.

 **NOTA:** Execute os diagnósticos antes de contactar o suporte técnico da Dell, dado que os testes de diagnóstico fornecem informações que podem ser necessárias quando efectuar a chamada.

 **NOTA:** Anote a sequência de arranque actual, caso pretenda restaurá-la depois de executar o programa de diagnóstico da Dell.

- 7 Prima  e seleccione **Sim** para guardar as alterações, sair do programa de configuração e reiniciar o computador para arrancar a partir do CD.

O computador é iniciado e começa a executar automaticamente o programa de diagnóstico da Dell.

Aparece o ecrã com o logótipo da Dell, seguido de uma mensagem a indicar que o diagnóstico está a ser carregado. Após o carregamento do diagnóstico, é apresentado o **Menu Diagnostics**.

Para seleccionar uma opção neste menu, destaque a opção e prima



ou prima a tecla que corresponde à letra destacada na opção seleccionada.

- 8 Quando a execução do diagnóstico terminar, remova o CD *Controladores e utilitários*.
- 9 Quando o computador for reiniciado, prima  assim que aparecer o ecrã com o logótipo da Dell e antes apareça o ecrã com o logótipo do Microsoft Windows.
- 10 No programa de configuração do sistema, prima a tecla de seta para a direita para mover o cursor para o ecrã **Boot**.
- 11 Redefina o primeiro dispositivo na lista de sequência de arranque como o dispositivo anotado em passo 5.
- 12 Prima  e seleccione **Sim** para guardar as alterações, sair do programa de configuração do sistema e reiniciar o Microsoft Windows.

## Avisos regulamentares

Interferência electromagnética (EMI) é qualquer sinal ou emissão, irradiada em espaço livre ou transmitida através de condutores de alimentação ou de sinais, que coloque em risco o funcionamento de um serviço de navegação de rádio ou outro serviço de segurança, ou que prejudique seriamente, obstrua ou interrompa repetidamente um serviço licenciado de comunicação de rádio. Os serviços de comunicação de rádio incluem, mas não se limitam a, transmissão comercial AM/FM, televisão, serviços de telefone celular, radar, controlo de tráfego aéreo, pager e serviços de comunicação pessoal (PCS). Esses serviços licenciados, juntamente com irradiadores involuntários como dispositivos digitais, incluindo computadores, contribuem para o ambiente electromagnético.

Compatibilidade Electromagnética (EMC) é a capacidade que os itens de um equipamento electrónico possuem de funcionar correctamente em conjunto no ambiente electrónico. Embora este computador tenha sido concebido e considerado em conformidade com os limites estabelecidos pelos órgãos de regulamentação para EMI, não existem garantias de que não ocorrerão interferências numa instalação específica. Se o equipamento causar interferência nos serviços de comunicação de rádio, o que pode ser determinado ligando e desligando o equipamento, experimente corrigir a interferência através de uma ou mais das seguintes medidas:

- Reorientar a antena receptora.
- Mudar o computador de lugar em relação ao receptor.
- Afastar o computador do receptor.
- Ligar o computador a outra tomada, de modo que o computador e o receptor fiquem em circuitos de derivação diferentes.

Se necessário, contacte um representante do suporte técnico da Dell ou um técnico experiente de rádio/televisão para obter outras sugestões.

Os computadores Dell são concebidos, testados e classificados para um ambiente electromagnético específico. Estas classificações de ambiente electromagnético referem-se normalmente às seguintes definições padrão:

- Classe A para ambientes comerciais ou industriais.
- Classe B para ambientes domésticos.

Os equipamentos de tecnologia de informação (ITE), incluindo dispositivos, placas de expansão, impressoras, dispositivos de entrada e saída (E/S), monitores, entre outros, que estão integrados ou ligados ao computador, devem estar de acordo com a classificação de ambiente electromagnético do computador.

**Aviso relativamente a cabos de sinal blindados:** Utilize apenas cabos blindados para ligar dispositivos a qualquer dispositivo Dell, visando reduzir a possibilidade de interferência em serviços de comunicação de rádio. A utilização de cabos blindados garante que é mantida a classificação EMC correcta para o ambiente específico. Para impressoras paralelas, está disponível um cabo da Dell. Se preferir, encomende um cabo no Web site da Dell, em [accessories.us.dell.com/sna/segmenter/asp](http://accessories.us.dell.com/sna/segmenter/asp).

A maioria dos computadores Dell é classificada para ambientes de Classe B. No entanto, a inclusão de determinadas opções pode alterar a classificação de algumas configurações para Classe A. Para determinar a classificação electromagnética do computador ou dispositivo, consulte as seguintes secções específicas para cada órgão de regulamentação. Cada secção fornece informações de segurança de produtos ou de EMC/EMI específicas de cada país.

### **Eliminação da bateria**



O computador utiliza uma bateria de iões de lítio e uma bateria de níquel metal hídrico (NiMH) em forma de moeda. Para obter instruções sobre como substituir a bateria de iões de lítio no computador, consulte “Remover uma bateria” e “Instalar uma bateria” no *Manual de informações do sistema*. A bateria de NiMH é uma bateria de longa duração, que talvez nunca precise ser substituída. Contudo, caso seja necessário substituí-la, o procedimento deve ser efectuado por um técnico de assistência autorizado.

Não elimine a bateria juntamente com lixo doméstico. Contacte a empresa local de recolha de lixo para obter o endereço do depósito de baterias mais próximo.

Dell™ Latitude™ X200

# Guía de información del sistema



# Notas, avisos y precauciones

 **NOTA:** Una NOTA proporciona información importante que le ayuda a utilizar su ordenador de la mejor manera posible.

 **AVISO:** Un AVISO indica un posible daño en el hardware o la pérdida de datos y le explica cómo evitar el problema.

 **PRECAUCIÓN:** Una PRECAUCIÓN indica un posible daño material, lesión corporal o muerte.

## Abreviaturas y acrónimos

Para obtener una lista completa de abreviaturas y acrónimos, consulte la *Guía del usuario* (dependiendo del sistema operativo, pulse dos veces en el icono **Guía del usuario** en el escritorio, o bien pulse en el botón **Inicio**, en **Centro de Ayuda y soporte técnico** y, por último, en **Guías del usuario y del sistema**).

---

La información contenida en este documento puede modificarse sin aviso previo.

© 2002 Dell Computer Corporation. Reservados todos los derechos.

Queda estrictamente prohibida la reproducción de este documento por cualquier medio sin la autorización por escrito de Dell Computer Corporation.

Marcas comerciales utilizadas en este texto: *Dell* el logotipo de *DELL*, *Latitude*, *TrueMobile*, y *AccessDirect* son marcas comerciales de Dell Computer Corporation, *Microsoft* y *Windows* son marcas registradas de Microsoft Corporation.

Este documento puede incluir otras marcas y nombres comerciales para referirse a las entidades que son propietarias de los mismos o a sus productos. Dell Computer Corporation renuncia a cualquier interés sobre la propiedad de marcas y nombres comerciales que no sean los suyos.

# Contenido

<b>Instrucciones de seguridad y EMC: ordenadores portátiles</b>	<b>171</b>
Precaución: instrucciones de seguridad	171
Instrucciones EMC	176
Cuando utilice el ordenador	176
Hábitos ergonómicos cuando utilice el ordenador	178
Extracción o instalación de módulos de memoria	179
Protección contra descargas electrostáticas	179
<b>Localización de información y ayuda</b>	<b>181</b>
<b>Configuración del ordenador</b>	<b>184</b>
<b>Acerca del ordenador</b>	<b>186</b>
Vista frontal	186
Vista lateral izquierda	187
Vista lateral derecha	188
Vista posterior	188
Vista inferior	189
<b>Extracción de una batería</b>	<b>190</b>
<b>Instalación de una batería</b>	<b>191</b>
<b>Ejecución de los Diagnósticos Dell</b>	<b>191</b>
<b>Avisos sobre regulación</b>	<b>192</b>
Cómo desechar las baterías	194



# Instrucciones de seguridad y EMC: ordenadores portátiles

La información siguiente define el significado de los símbolos *adicionales* utilizados *únicamente* en las instrucciones de seguridad y compatibilidad electromagnética (EMC).



Riesgo de explosión



Aeronave



Riesgo de fuego



La utilización de esta función podría restringirse en las aeronaves



Riesgo de descarga eléctrica



## Precaución: instrucciones de seguridad

### Generalidades

- No intente reparar el ordenador usted, a menos que sea una persona del servicio técnico autorizado. Siga siempre las instrucciones de instalación con exactitud.
- Si utiliza un alargador con el adaptador de corriente alterna, asegúrese de que el porcentaje total de amperios de los productos enchufados al alargador no excedan el porcentaje de amperios de éste.



- No inserte ningún objeto en las rejillas o aberturas de ventilación de su ordenador. Si lo hace y hubiera un cortocircuito en los componentes internos, se podría ocasionar un incendio o una descarga eléctrica.



- Cuando utilice el adaptador de CA para suministrar alimentación al ordenador o cargar la batería, sitúelo en un área ventilada, como podría ser un escritorio o en el suelo. No cubra el adaptador de CA con papeles u otros objetos que reduzcan la refrigeración; tampoco utilice el adaptador de CA dentro de un maletín.

- No utilice el ordenador portátil con la base asentada en contacto directo con la piel durante largos períodos de tiempo. La temperatura de la superficie de la base aumentará durante el funcionamiento normal (sobre todo si se utiliza alimentación de CA). El contacto continuado con la piel puede provocar malestar o, con el tiempo, quemaduras.



- No utilice el equipo en un entorno húmedo, por ejemplo, cerca de un baño, lavabo, fregadero, piscina o en una superficie mojada.



- Si el equipo incluye un módem integrado u opcional (de tarjeta PC), desconecte el cable del módem cuando se aproxime una tormenta eléctrica para evitar el riesgo improbable de una descarga eléctrica producida por los rayos a través de la línea telefónica.



- Para evitar el peligro potencial de sufrir una descarga eléctrica, no conecte ni desconecte ningún cable ni realice el mantenimiento o la reconfiguración de este producto en el transcurso de una tormenta eléctrica. No utilice el ordenador durante una tormenta eléctrica a menos que todos los cables hayan sido desconectados previamente y el ordenador funcione con la alimentación de la batería.
- Si el ordenador incluye un módem, el cable utilizado con el módem debe poseer un grosor mínimo de 26 AWG (American wire gauge, calibre americano para cables) y un enchufe modular RJ-11 que cumpla el estándar de la Comisión Federal de Comunicaciones (FCC, del inglés Federal Communications Commission).
- Las tarjetas PC pueden calentarse mucho durante el funcionamiento normal. Tenga cuidado al quitar las tarjetas PC después de un funcionamiento continuado.
- Antes de limpiar el ordenador, desconéctelo. Limpie el ordenador con un paño suave humedecido en agua. No utilice ningún líquido limpiador o aerosol que pudiera contener sustancias inflamables.



## Precaución: alimentación (instrucciones de seguridad, *continuación*)



- Utilice siempre el adaptador de CA proporcionado por Dell que se ha aprobado para su uso con este equipo. El uso de otro tipo de adaptador de CA podría implicar un riesgo de incendio o explosión.
- Antes de conectar el ordenador a una toma de corriente, asegúrese de que el tipo de voltaje del adaptador CA y la frecuencia coinciden con los de la fuente de alimentación disponible.
- Para interrumpir la alimentación del equipo, apáguelo, retire el paquete de baterías y desconecte el adaptador de CA de la toma eléctrica.



- Para evitar descargas eléctricas, enchufe el adaptador de CA y los cables de alimentación de los dispositivos periféricos a fuentes de alimentación con una toma de tierra adecuada. Estos cables podrían estar equipados con enchufes de tres clavijas para garantizar la toma de tierra. No utilice adaptadores ni retire la clavija de toma de tierra del enchufe de la toma de alimentación. Si utiliza un alargador para realizar la conexión, elija el tipo apropiado, de dos o tres clavijas, para conectar el cable de alimentación de CA del adaptador.
- Asegúrese de que no haya nada sobre el cable de alimentación del adaptador de CA y de que éste no esté en un sitio donde se pueda pisar o tropezar con él.



- Si utiliza una regleta de enchufes, proceda con precaución al conectar el cable de alimentación de CA del adaptador a la regleta. Algunas regletas permiten realizar conexiones erróneas. La conexión incorrecta del enchufe podría provocar daños irreparables en el ordenador, además del riesgo de sufrir una descarga eléctrica o de producir fuego. Asegúrese de que la clavija de toma de tierra del enchufe de alimentación está insertada en la conexión de toma de tierra de la regleta.



### Precaución: batería (instrucciones de seguridad, *continuación*)



- Utilice sólo las baterías de Dell que se han aprobado para su uso con este equipo. El uso de otro tipo de baterías podría aumentar el riesgo de incendio o explosión.



- No lleve paquetes de baterías en el bolsillo, bolso u otro contenedor en el que los objetos de metal (como las llaves del coche o clips sujetapapeles) puedan producir un cortocircuito en los terminales de la batería. El flujo de corriente excesivo resultante podría provocar temperaturas extremadamente altas y, como consecuencia, daños a la batería o causar fuego o quemaduras.

- La batería puede causar quemaduras si se utiliza indebidamente. No la desmonte. Tenga mucho cuidado con las baterías dañadas o que goteen. Si la batería está dañada, el electrolito podría filtrarse a través de los acumuladores y causar daños a las personas.

- Manténgala fuera del alcance de los niños.



- No almacene ni deje el ordenador ni la batería cerca de una fuente de calor como un radiador, chimenea, estufa, calentador eléctrico u otro tipo de generador de calor ni los exponga en ningún caso a temperaturas superiores a 60 °C (140 °F). Al alcanzar una temperatura excesiva, los acumuladores de la batería podrían explotar.



- No arroje la batería del ordenador al fuego ni la tire junto con los desperdicios de la casa. Los acumuladores de la batería podrían explotar. Deshágase de la batería agotada de acuerdo con las instrucciones del fabricante o póngase en contacto con la agencia local de eliminación de residuos acerca del desecho de residuos. Deshágase de una batería agotada o dañada lo antes posible.



**Precaución: viajes en avión**  
(instrucciones de seguridad, *continuación*)



- Puede que haya algunas regulaciones de la Administración federal de aviación norteamericana (Federal Aviation Administration) o regulaciones específicas de las compañías aéreas que sean aplicables al funcionamiento del ordenador Dell™ cuando se encuentre a bordo de una aeronave. Por ejemplo, dichas regulaciones y restricciones podrían prohibir el uso de dispositivos electrónicos personales (PED) que tengan la capacidad de realizar transmisiones internacionales mediante radiofrecuencia u otro tipo de señales electromagnéticas dentro de la aeronave.



- Para cumplir de mejor forma con todas estas restricciones, si su ordenador portátil Dell está equipado con Dell TrueMobile™ o algún otro tipo de dispositivo de comunicación inalámbrica, deberá desactivar este dispositivo antes de embarcar en la aeronave y seguir todas las instrucciones proporcionadas por el personal de la compañía aérea respecto al dispositivo.



- Además, el uso de dispositivos electrónicos personales, como son los ordenadores portátiles, podría estar restringido durante ciertas fases críticas del vuelo en una aeronave, por ejemplo, el despegue o el aterrizaje. Algunas compañías aéreas podrían incluir dentro de las fases críticas del vuelo aquellas en las que la aeronave se encuentre por debajo de los 3.050 m (10.000 pies). Siga las instrucciones específicas de la compañía aérea acerca de cuándo se pueden utilizar los dispositivos electrónicos personales.

## Instrucciones EMC

- La utilización de cables de señales blindados garantiza que se mantiene la clasificación EMC apropiada para el entorno para el que se han diseñado. Para impresoras en paralelo, existen cables de Dell. Si lo prefiere, puede solicitar un cable de Dell en el sitio [www.dell.com](http://www.dell.com) en World Wide Web.
- La electricidad estática puede dañar los componentes electrónicos que hay en el interior del equipo. Para evitar el daño por descargas electrostáticas, antes de tocar cualquiera de los componentes electrónicos del sistema (por ejemplo, un módulo de memoria), descargue la electricidad estática de su cuerpo. Para ello, toque una superficie metálica no pintada en el panel de E/S del equipo.

## Cuando utilice el ordenador

Observe las siguientes pautas de seguridad para evitar daños en el ordenador.

- Cuando prepare el ordenador para trabajar, colóquelo en una superficie plana.
- Cuando viaje, no facture el ordenador como equipaje. Puede pasar el equipo por una máquina de rayos X, pero nunca por un detector de metales. Si le inspeccionan el equipo manualmente, asegúrese de que tiene una batería cargada disponible en caso de que se le solicite que encienda el ordenador.
- Cuando viaje con la unidad de disco duro extraída del ordenador, envuélvala en un material no conductor, como tela o papel. Si le inspeccionan la unidad manualmente, esté preparado para instalarla en el equipo. Puede pasar la unidad de disco duro por una máquina de rayos X, pero nunca por un detector de metales.
- Cuando viaje, no coloque el equipo en los compartimentos superiores, donde podría deslizarse. Procure que no se le caiga el equipo ni lo someta a ningún otro tipo de choque mecánico.
- Proteja el equipo, la batería y la unidad de disco duro de los peligros medioambientales como la suciedad, el polvo, la comida, los líquidos, las temperaturas extremas y las sobreexposiciones a la luz solar.

- Cuando traslade el equipo de un entorno a otro, con temperatura o humedad muy distintos, puede que se produzca condensación en el equipo o dentro de éste. Para evitar daños en el equipo, deje que transcurra el tiempo suficiente para que se evapore el vaho antes de utilizar el ordenador.
- ➔ **AVISO:** Cuando cambie el equipo de temperaturas bajas a entornos más cálidos o de temperaturas muy altas a entornos más fríos, espere a que el equipo se adapte a la temperatura ambiente antes de encenderlo.
- Cuando desconecte un cable, tire del conector o del protector, no tire directamente del cable. Cuando retire el conector, manténgalo alineado para evitar que se doblen las patas. Además, antes de conectar un cable, asegúrese de que los dos conectores estén orientados y alineados correctamente.
- Maneje los componentes con cuidado. Sujete los componentes, por ejemplo un módulo de memoria, por los bordes, no por las patas.
- Para evitar un posible daño en la placa base, antes de retirar de ella un módulo de memoria, apague el ordenador, desconecte el cable del adaptador de CA y espere cinco segundos.
- Limpie la pantalla con un paño suave y limpio y con un líquido limpiacristales que no contenga cera o sustancias abrasivas. Aplique el limpiacristales al paño y después pase éste por la pantalla en una sola dirección, de arriba abajo. Si la pantalla contiene grasa o algún otro contaminante, utilice alcohol isopropílico en vez de un limpiacristales.
- Si su ordenador se moja o queda dañado, siga los procedimientos descritos en la sección “Solución de problemas” de la *Guía del usuario*. Si después de seguir estos procedimientos llega a la conclusión de que su ordenador no funciona de manera adecuada, póngase en contacto con Dell. Consulte la sección “Obtención de ayuda” de la *Guía del usuario* para buscar el número de teléfono adecuado.

## Hábitos ergonómicos cuando utilice el ordenador

 **PRECAUCIÓN:** El uso inadecuado o prolongado del teclado puede ser nocivo.

 **PRECAUCIÓN:** La visualización de la pantalla del monitor durante largos periodos de tiempo puede producir fatiga visual.

Por comodidad y eficacia, observe las siguientes pautas ergonómicas cuando configure y utilice el ordenador:

- Se trata de un ordenador portátil y no está diseñado para utilizarse de forma continua como equipo de oficina. Si se utiliza de ese modo, se recomienda utilizar un monitor y un teclado externos.
- Cuando trabaje, colóquese justo enfrente del ordenador.
- Ajuste la inclinación de la pantalla, las selecciones de contraste y brillo, así como la luz del entorno (plafones, lámparas de sobremesa y las cortinas o persianas de las ventanas próximas) para minimizar reflejos y brillos en la pantalla del monitor.
- Cuando utilice un monitor externo con el ordenador, coloque el monitor a una distancia cómoda para la vista (normalmente, de 510 a 610 milímetros [de 20 a 24 pulgadas]). Cuando esté sentado frente al monitor, asegúrese de que la pantalla quede al nivel de sus ojos o a un nivel ligeramente inferior.
- Utilice una silla que proporcione a su espalda apoyo lumbar.
- Mantenga los antebrazos en línea horizontal con las muñecas en una posición neutra y cómoda cuando utilice el teclado, la almohadilla de contacto, la palanca de seguimiento o el ratón.
- Utilice siempre el reposamanos con el teclado, la almohadilla de contacto o la palanca de seguimiento. Deje espacio suficiente para descansar las manos al utilizar el ratón.
- Coloque los brazos en una posición natural a ambos lados.
- Siéntese en posición erguida, con los pies apoyados en el suelo y sin cruzar las piernas.
- Al sentarse, asegúrese de que el peso de las piernas recaiga en los pies y no en la parte frontal del asiento. Ajuste la altura de la silla o utilice un escabel, si es necesario, para mantener la postura adecuada.

- Varíe sus actividades laborales. Organice su trabajo de modo que no tenga que teclear durante largos períodos de tiempo. Cuando deje de teclear, realice actividades que requieran el uso de ambas manos.

## Extracción o instalación de módulos de memoria

Antes de retirar o instalar módulos de memoria, realice los siguientes pasos en el mismo orden en que se indican.

 **AVISO:** La única ocasión en la que debe tener acceso al interior del ordenador es cuando instale un módulo de memoria o una minitarjeta PCI.

 **AVISO:** Apague el ordenador y espere cinco segundos antes de desconectar un dispositivo periférico o retirar un módulo de memoria para evitar un posible daño en la placa base.

- 1 Apague el ordenador y los periféricos que estén conectados al mismo.
- 2 Desconecte el ordenador y los dispositivos periféricos de las tomas de corriente eléctrica para reducir el peligro potencial de daños personales o descarga eléctrica. Además, desconecte cualquier línea telefónica o de telecomunicación del ordenador.
- 3 Extraiga la batería principal de su compartimento.
- 4 Conéctese usted mismo a tierra por el procedimiento de tocar una superficie metálica sin pintura del panel de entrada y salida (E/S) en la parte posterior del ordenador.

Mientras trabaja, toque de vez en cuando el panel de E/S para disipar la electricidad estática que pueda dañar los componentes internos.

## Protección contra descargas electrostáticas

La electricidad estática puede dañar los componentes electrónicos que hay en el interior del equipo. Para evitar el daño por descargas electrostáticas, antes de tocar cualquiera de los componentes electrónicos del sistema (por ejemplo, un módulo de memoria), descargue la electricidad estática de su cuerpo. Para ello, toque una superficie metálica no pintada del panel de E/S del equipo.

Mientras esté trabajando en el interior del equipo, toque de vez en cuando un conector de E/S para descargar la energía estática que se haya podido acumular en su cuerpo.

Asimismo, puede observar las siguientes medidas para prevenir los posibles daños por descargas electrostáticas (ESD):

- Cuando desembale un componente sensible a la electricidad estática, no lo saque del embalaje antiestático hasta que vaya a instalarlo en el ordenador. Justo antes de abrir el embalaje antiestático, asegúrese de descargar la electricidad estática de su cuerpo.
- Cuando transporte un componente sensible a la electricidad estática, colóquelo en un contenedor o embalaje antiestático.
- Manipule todos los componentes sensibles a la electricidad estática en un área libre de ésta. Si es posible, utilice alfombrillas antiestáticas en el suelo y en el banco de trabajo.

El siguiente aviso puede aparecer a lo largo de la documentación de Dell para recordarle que tome estas precauciones:

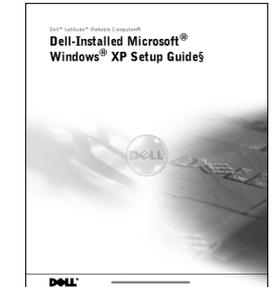
 **AVISO:** Consulte la sección “Protección contra descargas electrostáticas” de la guía *Información del sistema*.

# Localización de información y ayuda

La tabla siguiente enumera los recursos que Dell proporciona como herramientas de asistencia. El ordenador puede tener recursos adicionales preinstalados.

## Recursos y herramientas de asistencia

Recurso	Contenido	Utilización del recurso
 Guías del usuario	Guías del usuario del ordenador y los dispositivos	Dependiendo del sistema operativo, pulse dos veces en el icono <b>Guías del usuario</b> en el escritorio, o bien pulse en el botón <b>Inicio</b> y después seleccione <b>Ayuda y soporte técnico</b> para tener acceso a la documentación almacenada en la unidad disco duro.  Obtenga la siguiente información: <ul style="list-style-type: none"><li>• Utilización del ordenador</li><li>• Configuración del sistema</li><li>• Extracción e instalación de piezas</li><li>• Instalación y configuración de software</li><li>• Diagnóstico de un problema</li><li>• Especificaciones técnicas</li><li>• Obtención de asistencia técnica</li></ul>
	CD <i>Drivers and Utilities</i> (drivers y utilidades) <ul style="list-style-type: none"><li>• Diagnósticos Dell</li><li>• Drivers</li><li>• Utilidades</li><li>• Documentación del ordenador y de los dispositivos</li></ul>	Consulte el menú principal en el CD <i>Drivers and Utilities</i> (drivers y utilidades) que se incluye con el ordenador. Utilice el menú descendente para realizar las selecciones apropiadas para su ordenador.  Dell ya ha instalado la documentación y los drivers en el ordenador. Puede utilizar este CD para tener acceso a la documentación, volver a instalar los drivers o ejecutar las herramientas de diagnóstico.  Para obtener más información, consulte la <i>Guía del usuario</i> del ordenador.

Recurso	Contenido	Utilización del recurso
 <p>WWW.DELL.COM Service Tag: XXXXX Express Service Code: XX-XXX-XX</p>  <p>Windows OS Professional OEM Nave Here</p> <p>XXXXXXXXXXXX XXXXXXXXXXXX XXXXXXXXXXXX Product Key: XXXXXXX-XXXXX-XXXXX-XXXXX-XXXXX</p>	<p>Etiquetas de reparación y registro</p> <ul style="list-style-type: none"> <li>• Código de servicio urgente y secuencia de la etiqueta de servicio</li> <li>• Clave de producto (también llamada Id. de producto o Certificado de autenticidad [COA])</li> </ul>	<p>El código de servicio urgente y la secuencia de la etiqueta de servicio son identificadores exclusivos del ordenador Dell™.</p> <p>Necesitará el número de la clave de producto (o Id. de producto) para completar la configuración del sistema operativo.</p>
 <p>OPERATING SYSTEM Reinstallation CD Microsoft® Windows® XP Professional</p> <p>For installation only with a valid license key. www.dell.com</p> <p>DELL PW 0000 Rev. 08/07</p>	<p>CD <i>Operating System</i> (sistema operativo)</p>	<p>Para volver a instalar el sistema operativo, utilice el CD <i>Operating System</i> (sistema operativo) que acompaña a su ordenador.</p> <p><b>NOTA:</b> El CD <i>Operating System</i> (sistema operativo) puede que no contenga los últimos drivers del ordenador. Si vuelve a instalar el sistema operativo, utilice el CD <i>Drivers and Utilities</i> (drivers y utilidades) para volver a instalar los drivers de los dispositivos preinstalados en el ordenador.</p> <p>Para obtener más información acerca de la instalación del sistema operativo, consulte la <i>Guía de configuración</i> de Microsoft® Windows® instalada por Dell que acompaña al ordenador.</p>
 <p>Get the latest service information Dell-Installed Microsoft® Windows® XP Setup Guide</p> <p>DELL</p>	<p><i>Guía de configuración</i> de Windows instalada por Dell.</p>	<p>Para obtener más información acerca de la instalación y configuración del sistema operativo, consulte la <i>Guía de configuración</i>.</p> <p><b>NOTA:</b> Para obtener información acerca del sistema operativo, pulse en el <b>botón Inicio</b> y en <b>Ayuda</b> o en <b>Ayuda y soporte técnico</b>, dependiendo del sistema operativo.</p>

Recurso	Contenido	Utilización del recurso
<b>support.dell.com</b>	Sitio Web Dell   Support <ul style="list-style-type: none"> <li>• Preguntas frecuentes</li> <li>• Descargas para su ordenador</li> <li>• Documentación</li> <li>• Conversaciones en línea acerca del ordenador</li> <li>• Base de datos de búsqueda</li> </ul>	Vaya a <a href="http://support.dell.com">support.dell.com</a> y complete el registro de datos: <ul style="list-style-type: none"> <li>• Consulte la <i>Guía del usuario</i> de su ordenador</li> <li>• Obtenga ayuda sobre cuestiones generales, preguntas acerca de la instalación y solución de problemas (Ask Dudley, Dell Knowledge Base [bases de datos de Dell])</li> <li>• Tenga acceso a documentación acerca del ordenador y dispositivos (Dell Documents [documentos de Dell])</li> <li>• Obtenga las últimas versiones de los drivers del ordenador (Downloads for Your Dell [descargas de Dell])</li> <li>• Participe en conversaciones con otros clientes de Dell y con profesionales técnicos de Dell (Dell Talk [conversaciones de Dell])</li> <li>• Examine una lista de vínculos en línea que llevan a los proveedores principales de Dell</li> </ul>
<b>Premier Support.Dell.com</b>	Sitio Web Dell Premier Support (asistencia preferente) <ul style="list-style-type: none"> <li>• Estado de la llamada de reparación</li> <li>• Principales problemas técnicos por producto</li> <li>• Preguntas más frecuentes por número de producto</li> <li>• Etiquetas de reparación personalizadas</li> <li>• Detalle de configuración del sistema</li> </ul>	Vaya a <a href="http://premiersupport.dell.com">premiersupport.dell.com</a> : El sitio Web Dell Premier Support está personalizado para empresas e instituciones gubernamentales y educativas. Es posible que este servicio no esté disponible en todos los países o regiones.

## Configuración del ordenador

- 1 Desempaquete la caja de accesorios.
- 2 Saque el contenido de la caja de accesorios, que necesitará para completar la configuración del ordenador.

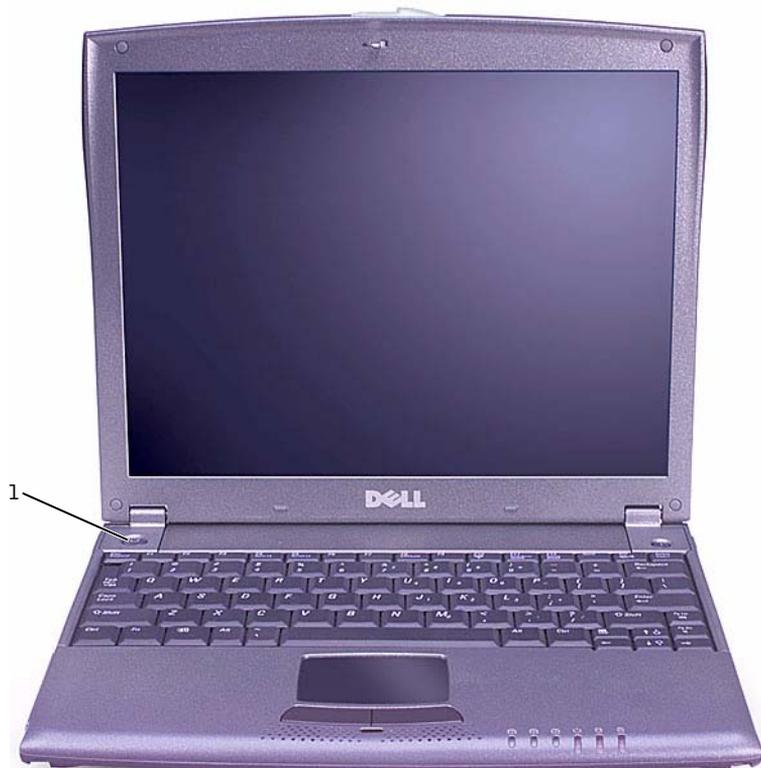
La caja de accesorios también contiene la documentación del usuario y el software o hardware adicional (como tarjetas PC, unidades o baterías) que haya pedido.

- 3 Conecte el adaptador de CA al conector del adaptador de CA y a una toma de corriente.



- 4 Para encender el ordenador, abra la pantalla y pulse el botón de alimentación.

 **NOTA:** No conecte el ordenador a la base para medios X200 hasta que éste se haya encendido y apagado por lo menos una vez.



---

1 botón de alimentación

---

# Acerca del ordenador

## Vista frontal

**⚠ PRECAUCIÓN:** No introduzca objetos, bloquee ni permita que el polvo se acumule en las rejillas de ventilación. Si lo hace, podría dañar el ordenador o provocar un incendio.



1	pestaño de la pantalla	6	indicadores de estado del teclado
2	pantalla	7	botones de la almohadilla de contacto (2)
3	botón Dell™ AccessDirect™	8	altavoces (2)
4	teclado	9	almohadilla de contacto
5	indicadores de estado del dispositivo	10	botón de alimentación

## Vista lateral izquierda

**⚠ AVISO:** Para no dañar el ordenador, espere 5 segundos después de apagarlo antes de desconectar un dispositivo externo.

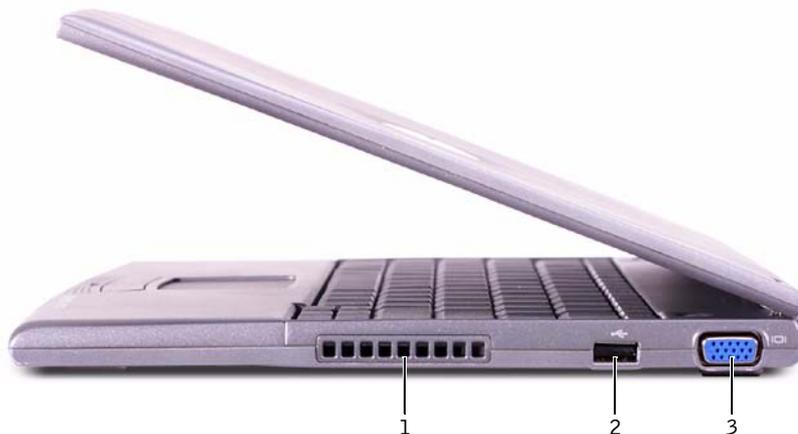


1	conector de módem	5	conector 1394
2	conector de red	6	conectores de sonido
3	conector del adaptador de CA	7	ranura para tarjeta PC
4	conector de puerto USB		

## Vista lateral derecha

**⚠ PRECAUCIÓN:** No introduzca objetos, bloquee ni permita que el polvo se acumule en las rejillas de ventilación. Si lo hace, podría dañar el ordenador o provocar un incendio.

**➡ AVISO:** Para no dañar el ordenador, espere 5 segundos después de apagarlo antes de desconectar un dispositivo externo.



- 1 rejillas de ventilación
- 2 conector de puerto USB
- 3 conector de vídeo

## Vista posterior



- 1 ranura para cable de seguridad

## Vista inferior

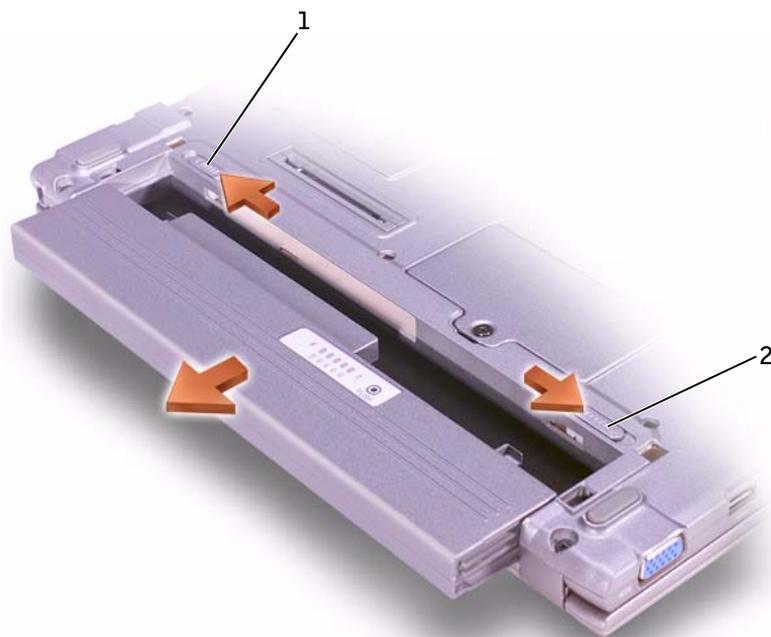


1	cubierta del módulo de memoria	5	pestillo de bloqueo de la batería
2	indicador de la batería	6	conector de acoplamiento de la base para medios
3	batería/compartimento de la batería	7	cubierta de la minitarjeta PCI
4	pasador de liberación de la batería		

## Extracción de una batería

➔ **AVISO:** Si decide sustituir la batería mientras el ordenador está en modo de espera, tiene hasta un minuto para completar la sustitución antes de que el ordenador se cierre y pierda los datos no guardados.

- 1 Compruebe que el ordenador esté apagado, en modo de administración de energía o conectado a un enchufe de alimentación eléctrica.
- 2 Si el ordenador está acoplado, desacóplelo.
- 3 Deslice el pestillo de bloqueo de la batería situado en la base del ordenador hasta la posición de desbloqueo.
- 4 Deslice y sostenga el pasador de liberación de la batería que se encuentra en la parte de abajo del ordenador y, a continuación, extraiga la batería del compartimento.



- 
- |   |                                     |
|---|-------------------------------------|
| 1 | pestillo de bloqueo de la batería   |
| 2 | pasador de liberación de la batería |
-

# Instalación de una batería

- 1 Deslice la batería en el compartimento hasta que el seguro de liberación emita un “clic”.
- 2 Deslice el pestillo de bloqueo de la batería hasta la posición de bloqueo.

## Ejecución de los Diagnósticos Dell

Dell proporciona una serie de herramientas para ayudarle en el caso de que el ordenador no funcione como es de esperar. Si desea información sobre estas herramientas de ayuda, consulte la *Guía del usuario*.

Si tiene un problema con el ordenador y no consigue acceder a la *Guía del usuario* en línea, utilice los diagnósticos de Dell para determinar la causa del problema y solucionarlo. Los diagnósticos se encuentran en el CD *Drivers and Utilities* (drivers y utilidades) que viene con el ordenador.

Para iniciar los diagnósticos, siga estos pasos:

- 1 Apague el ordenador.
- 2 Asegúrese de que está conectado a una toma de corriente eléctrica.
- 3 Encienda el ordenador con el CD *Drivers and Utilities* (drivers y utilidades) insertado en la unidad de CD, CD-RW o DVD.
- 4 Pulse  para acceder al programa de configuración del sistema tan pronto como aparezca la pantalla del logotipo de Dell y antes de que aparezca la pantalla del logotipo de Microsoft® Windows®.
- 5 Pulse la tecla de flecha derecha para desplazarse a la pantalla **Boot** (inicialización) y apunte el primer dispositivo de la lista de la secuencia de inicialización.
- 6 Use las teclas de flecha arriba o abajo para resaltar **CD-ROM Drive** (unidad de CD-ROM) y, a continuación, utilice la tecla  para subirla a la parte superior de la lista de la secuencia de inicialización.
- 7 Pulse  para seleccionar **Yes** (Sí) con el fin de guardar los cambios realizados, salir del programa de configuración del sistema y reiniciar el ordenador para inicializar desde el CD.

 **NOTA:** Ejecute los diagnósticos de Dell antes de llamar a la asistencia técnica, ya que las pruebas de diagnóstico proporcionan información que podrá necesitar cuando haga la llamada.

 **NOTA:** Anote la secuencia de inicialización actual por si deseara restaurarla después de ejecutar los diagnósticos de Dell.

El ordenador se inicializará y comenzará a ejecutar automáticamente los diagnósticos de Dell.

Aparecerá la pantalla del logotipo de Dell, seguida de un mensaje que informa que se están cargando los diagnósticos. Una vez cargados, aparecerá el **menú Diagnósticos**.

Para seleccionar una opción de este menú, resáltela y pulse  *Enter* o la tecla que corresponda a la letra resaltada de la opción elegida.

- 8 Cuando se hayan ejecutado los diagnósticos, extraiga el CD *Drivers y Utilidades* (drivers y utilidades).
- 9 Cuando se reinicie el ordenador, pulse  en cuanto aparezca el logotipo de Dell y antes de que aparezca la pantalla del logotipo de Microsoft Windows.
- 10 En el programa de configuración del sistema, pulse la tecla de flecha derecha para acceder a la pantalla **Boot** (inicialización).
- 11 Cambie el primer dispositivo de la lista de la secuencia de inicialización por el dispositivo anotado en el paso 5.
- 12 Pulse  y seleccione **Yes** (Sí) con el fin de guardar los cambios realizados, salir del programa de configuración del sistema y reiniciar Microsoft Windows.

## Avisos sobre regulación

Una interferencia electromagnética (EMI, Electromagnetic Interference) es cualquier señal o emisión, radiada en el espacio o conducida a través de un cable de alimentación o señal, que pone en peligro el funcionamiento de la navegación por radio u otro servicio de seguridad, o degrada seriamente, obstruye o interrumpe de forma repetida un servicio de comunicaciones por radio autorizado. Los servicios de radiocomunicaciones incluyen, entre otros, emisoras comerciales de AM/FM, televisión, servicios de telefonía móvil, radar, control de tráfico aéreo, buscapersonas y servicios de comunicación personal (PCS, Personal Communication Services). Estos servicios autorizados, junto con emisores no intencionados como dispositivos digitales, incluidos los ordenadores, contribuyen al entorno electromagnético.

La compatibilidad electromagnética (EMC, Electromagnetic Compatibility) es la capacidad de los componentes del equipo electrónico de funcionar juntos correctamente en el entorno electrónico. Aunque este ordenador se ha diseñado y ajustado para cumplir con los límites de emisión electromagnética establecidos por la agencia reguladora, no hay ninguna garantía de que no ocurran interferencias en una instalación en particular. Si este equipo provoca interferencias con servicios de comunicaciones por radio, lo que se puede determinar apagando y encendiendo el equipo, intente corregir dichas interferencias adoptando una o varias de las siguientes medidas:

- Reoriente la antena de recepción.
- Reubique el equipo con respecto al receptor.
- Aparte el ordenador del receptor.
- Conecte el equipo a una toma diferente de forma que el equipo y el receptor se encuentren en ramas diferentes del circuito.

Si es necesario, consulte a un representante del Servicio de asistencia técnica de Dell o a un técnico experimentado de radio o televisión para obtener consejos adicionales.

Los ordenadores Dell se diseñan, prueban y clasifican en función del entorno electromagnético en el que se van a utilizar. Estas clasificaciones de entornos electromagnéticos se refieren generalmente a las siguientes definiciones armonizadas:

- Clase A: normalmente para entornos empresariales o industriales.
- Clase B: normalmente para entornos residenciales.

El equipo de tecnología de información (ITE, Information Technology Equipment), incluidos los dispositivos, tarjetas de expansión, impresoras, dispositivos de entrada/salida (E/S), monitores, etc., integrados en el ordenador o conectados a él, debe ajustarse a la clasificación del entorno electromagnético del ordenador.

**Aviso acerca de los cables de señal blindados:** utilice únicamente cables blindados para conectar dispositivos a cualquier dispositivo Dell con el fin de reducir las posibilidades de interferencias con los servicios de comunicaciones de radio. La utilización de cables blindados garantiza que se mantiene la apropiada clasificación EMC para el entorno diseñado. Para impresoras en paralelo, existen cables de Dell. Si lo prefiere, puede solicitar un cable de Dell en el sitio [accessories.us.dell.com/sna/segmente1/asp](http://accessories.us.dell.com/sna/segmente1/asp) en la Red Mundial.

La mayoría de los ordenadores Dell están clasificados para entornos de Clase B. Sin embargo, la inclusión de determinadas opciones puede cambiar la clasificación de algunas configuraciones a la Clase A. Para determinar la clasificación electromagnética del ordenador o del dispositivo, consulte las siguientes secciones específicas para cada agencia reguladora. Cada sección proporciona el EMI/EMC específico de cada país o información de seguridad del producto.



### **Cómo desechar las baterías**

El ordenador utiliza una batería de iones de litio y una pila tipo botón de hidruro de níquel metálico (NiMH). Si necesita instrucciones para sustituir la batería de iones de litio de su ordenador, consulte la sección “Extracción de una batería” e “Instalación de una batería” de la *Guía de información del sistema*. La batería de NiMH es una batería de larga duración y es muy posible que nunca precise reemplazarla. Sin embargo, si alguna vez necesita cambiarla, deberá realizar el proceso una persona del servicio técnico autorizado.

No mezcle las baterías con la basura doméstica. Póngase en contacto con la agencia local de eliminación de residuos para obtener la dirección del contenedor de baterías más cercano.



Printed in Ireland.  
Gedruckt in Ierland.  
Imprimé en Irlande.  
Gedruckt in Irland.  
Stampato in Irlanda.  
Impresso na Irlanda.  
Impreso en Irlanda.



08K499A00

P/N 8K499 Rev. A00

